

**WARNING!**

Not to be used by children over
36 months (due to seat height).

Keep this instruction sheet for future reference,
as it contains important information.

Requires three AA batteries (included).

Batteries included are for demonstration purposes only.

Adult assembly is required.

Tool required: Phillips screwdriver (not included).

Consumer Information



CONSUMER ASSISTANCE

1-800-432-5437 (US & Canada)
1300 135 312 (Australia)

service.fisher-price.com

Fisher-Price, Inc., 636 Girard Avenue, East Aurora, NY 14052.
Hearing-impaired consumers: 1-800-382-7470.

Outside the United States:

Canada: Mattel Canada Inc., 6155 Freemont Blvd.,
Mississauga, Ontario L5R 3W2; www.service.mattel.com.

Great Britain: Mattel UK Ltd, Vanwall Business Park,
Maidenhead SL6 4UB. Helpline: 01628 500303.
www.service.mattel.com/uk

Mattel Europa B.V., Gondel 1, 1186 MJ Amstelveen, Nederland.

Australia: Mattel Australia Pty. Ltd., 658 Church Street,
Locked Bag #870, Richmond, Victoria 3121 Australia.

New Zealand: 16-18 William Pickering Drive,
Albany 1331, Auckland.

FCC STATEMENT (UNITED STATES ONLY)

This equipment has been tested and found to comply with the limits for a Class B digital device, pursuant to Part 15 of the FCC rules. These limits are designed to provide reasonable protection against harmful interference in a residential installation. This equipment generates uses and can radiate radio frequency energy and, if not installed and used in accordance with the instructions, may cause harmful interference to radio communications. However, there is no guarantee that interference will not occur in a particular installation. If this equipment does cause harmful interference to radio or television reception, which can be determined by turning the equipment off and on, the user is encouraged to try to correct the interference by one or more of the following measures:

- Reorient or relocate the receiving antenna.
- Increase the separation between the equipment and receiver.
- Consult the dealer or an experienced radio/TV technician for help.

NOTE: Changes or modifications not expressly approved by the manufacturer responsible for compliance could void the user's authority to operate the equipment.

This device complies with Part 15 of the FCC Rules. Operation is subject to the following two conditions: (1) This device may not cause harmful interference, and (2) this device must accept any interference received, including interference that may cause undesired operation.

Care

- Wipe with a clean cloth dampened with a mild soap and water solution. Do not immerse.
- Periodically inspect this product for wear or damage. Check all nuts and bolts, and tighten as needed. Replace worn or broken parts immediately.

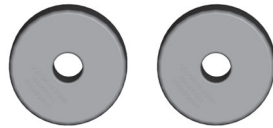
Assembled Parts



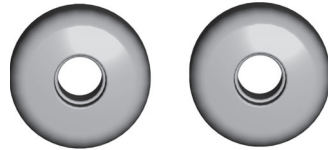
Seat



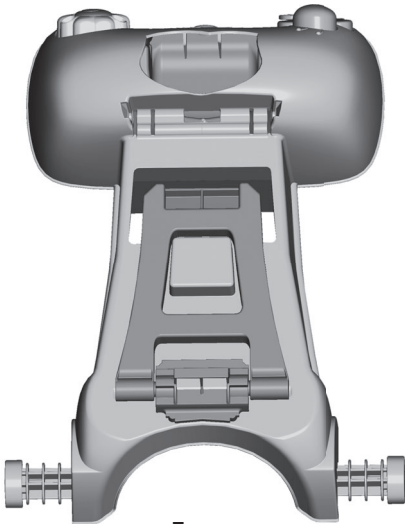
Head



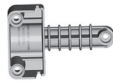
**2 Front Wheels
(Smaller)**



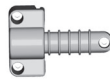
**2 Rear Wheels
(Larger)**



Frame



2 Front Axles



2 Hubs



CAUTION

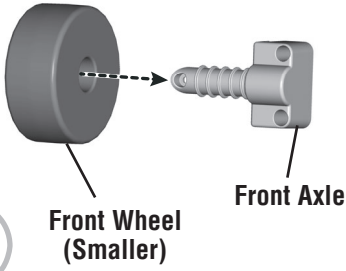
This package contains small parts. For adult assembly only.



**M4,5 x 1,9 cm Screw - 11
Shown Actual Size**

Note: Tighten and loosen all screws with a Phillips screwdriver. Do not over-tighten screws.

Assembly

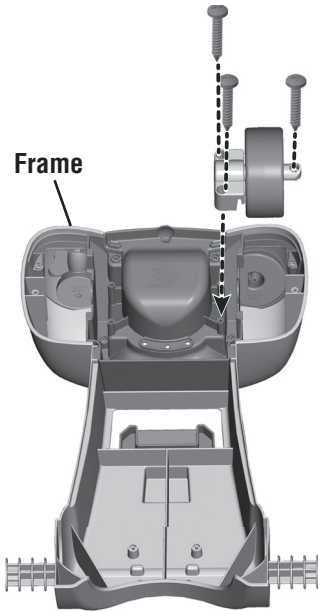


1

Front Wheel
(Smaller)

Front Axle

- Slide a front wheel onto a front axle.

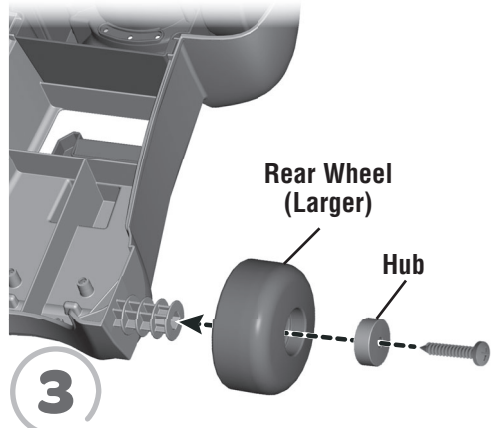


Frame

2

BOTTOM VIEW

- Turn the frame over and fit the front axle assembly onto the front of the frame.
- Insert three screws and tighten.
- Repeat steps 1 and 2 to assemble the remaining front wheel and front axle.

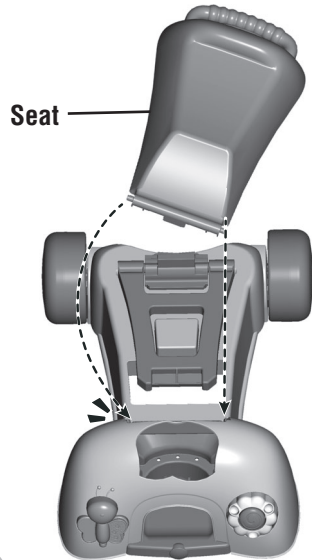


3

Rear Wheel
(Larger)

Hub

- Fit a rear wheel onto the rear axle.
- Fit a hub into the center of the rear wheel.
- Insert a screw into the center of the hub and tighten.
- Repeat this procedure to attach the other rear wheel and hub.



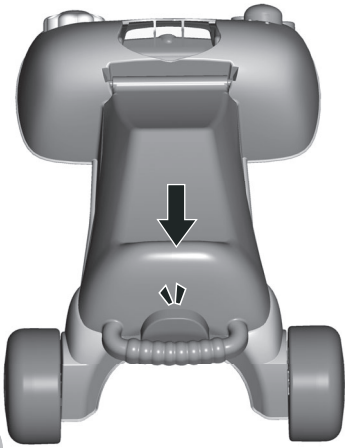
Seat

4

TOP FRONT VIEW

- Turn the frame upright.
- At an angle, fit the peg on one side of the seat into the slot in the frame. Push to **“snap”** the other peg in place.

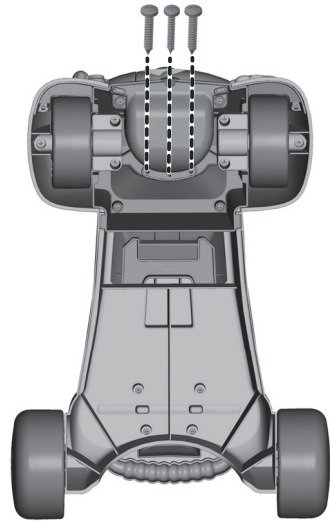
Assembly



5

BACK VIEW

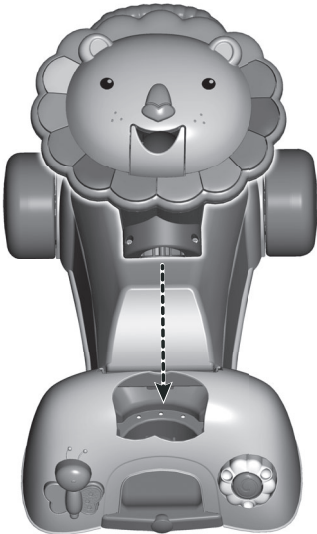
- Push the back of the seat to **"snap"** in place.



7

BOTTOM VIEW

- While holding the head in place, turn the frame over.
- Insert three screws into the holes in the frame and tighten.



6

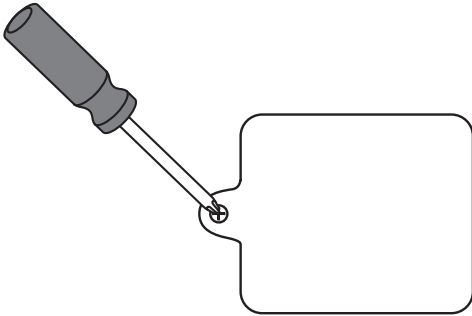
FRONT VIEW

- Fit the head onto the frame.

Battery Replacement



For longer life, use **alkaline** batteries.



- Locate the battery compartment on the back of the lion.
- Loosen the screw in the battery compartment door with a Phillips screwdriver and remove the door.
- Remove the exhausted batteries and dispose properly.
- Insert three AA (LR6) **alkaline** batteries.
- Replace the battery compartment door and tighten the screw. Do not over-tighten.
- If this product begins to operate erratically, you may need to reset the electronics. Slide the power/volume switch off and then back on.
- When sounds/lights become faint or stop, it's time for an adult to change the batteries.



- Protect the environment by not disposing of this product with household waste (2012/19/EU). Check your local authority for recycling advice and facilities.

Battery Safety Information

In exceptional circumstances, batteries may leak fluids that can cause a chemical burn injury or ruin your toy. To avoid battery leakage:

- Do not mix old and new batteries or batteries of different types: alkaline, standard (carbon-zinc) or rechargeable (nickel-cadmium).
- Insert batteries as indicated inside the battery compartment.
- Remove batteries during long periods of non-use. Always remove exhausted batteries from the toy. Dispose of batteries safely. Do not dispose of the product in a fire. The batteries inside may explode or leak.
- Never short-circuit the battery terminals.
- Use only batteries of the same or equivalent type, as recommended.
- Do not charge non-rechargeable batteries.
- Remove rechargeable batteries from the toy before charging.
- If removable, rechargeable batteries are used, they are only to be charged under adult supervision.

CAN ICES-3 (B)/NMB-3 (B)

Operation is subject to the following two conditions: (1) this device may not cause interference, and (2) this device must accept any interference, including interference that may cause undesired operation of the device.

L'utilisation de ce dispositif est autorisée seulement aux conditions suivantes : (1) il ne doit pas produire de brouillage et (2) il doit pouvoir tolérer tout brouillage radioélectrique reçu, même si ce brouillage est susceptible de compromettre son fonctionnement.

Ready, set, GO!

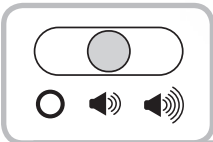
Press lion's nose for fun lights with phrases or music!




Press a button on the lion's mane to hear its number. Press the same button again to hear its color. Press the button a third time to hear its number, then count the tones you hear!

Open the lion's mouth to drop a ball in and hear more fun phrases or music!



Hear phrases, music or sound effects when you push the lion.

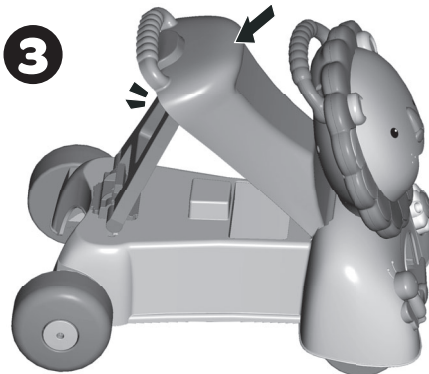
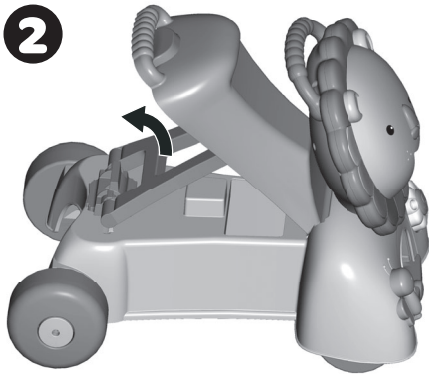
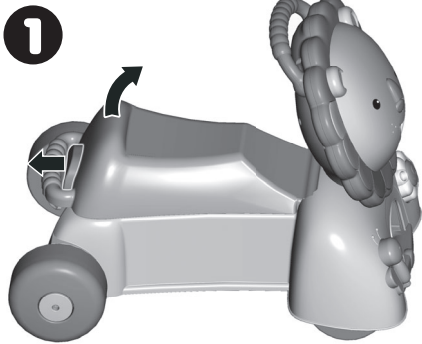


- Slide the power/volume switch:
 -  ON with low volume
 -  ON with high volume
 -  OFF

- Adult supervision is required.
- Never use near steps.
- Choose areas for riding that are free of obstacles.
- Learn to stop safely.
- Use with caution as this product requires skill to operate safely to avoid falls, collisions, and injuries to yourself (the rider) and others.

Rider to Walker

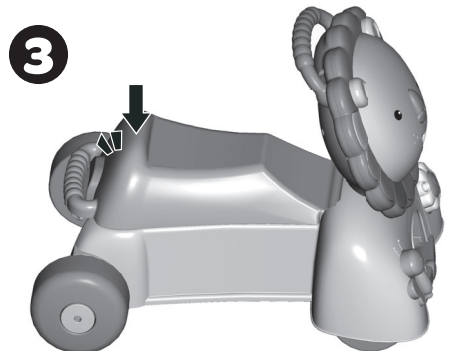
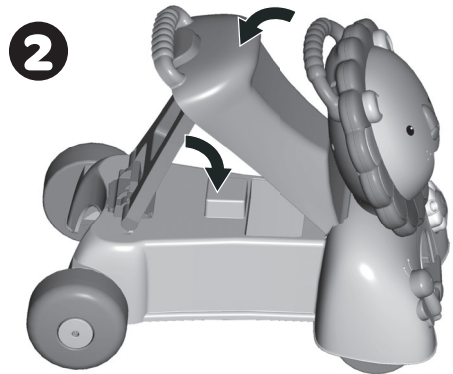
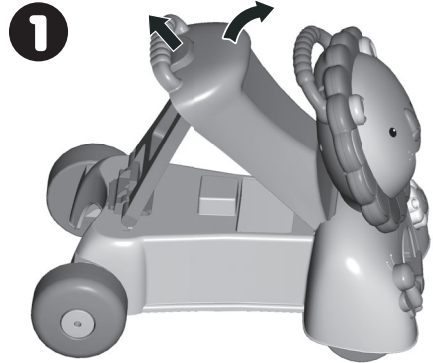
Only an adult should convert this product.



- Pull out the latch on the back of the seat and lift the seat ❶.
- Lift the support ❷.
- Push down on the handle to "snap" it to the support ❸. Lift the handle to be sure it's secure to the support,

Walker to Rider

Only an adult should convert this product.



- Pull out the latch on the back of the seat and lift the seat ❶.
- Lower the support and lower the seat ❷.
- Push down on the seat to "snap" in place ❸.