



Keep this instruction sheet for future reference,
as it contains important information.

Requires three AA (LR6) **alkaline** batteries (not included).

Adult assembly is required.

Tool required for assembly and battery installation: Phillips screwdriver (not included).

Wipe this toy with a clean cloth dampened with a mild soap and water solution.

Do not immerse this toy.

Assembled Parts



Front End



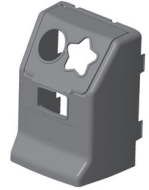
Side Roof



Wheel



Refrigerator Door

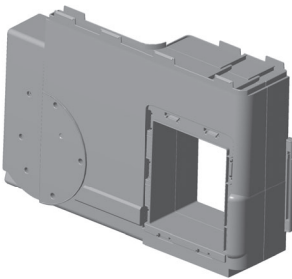


Recycle Bin

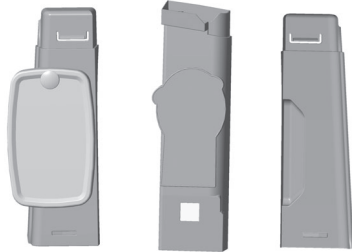


Counter

(The battery compartment is on the underside of the counter. See Battery Installation section for instructions about installing batteries.)



Side Wall



3 Roof Supports



Steering Wheel



Steering Wheel Retainer



Base



Dash



M3,5 x 19 mm Screw -18

Shown Actual Size

Tighten and loosen all screws with a Phillips screwdriver.



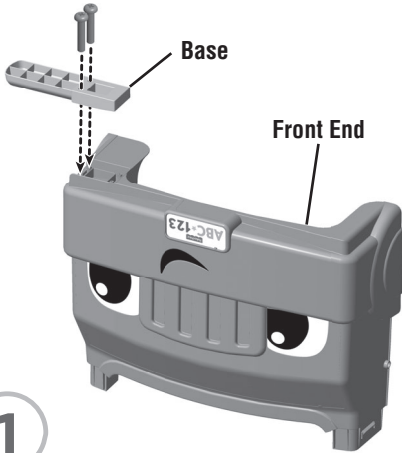
Front Roof

Assembly

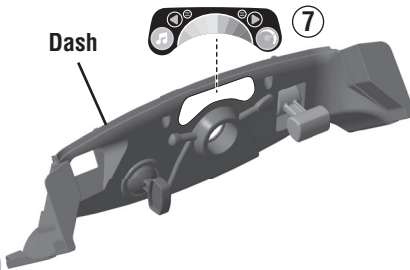


CAUTION

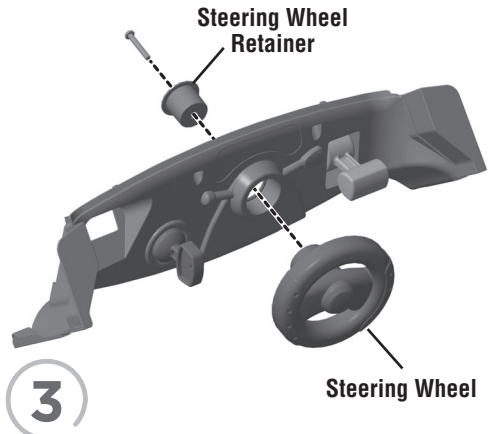
This package contains small parts.
For adult assembly only.



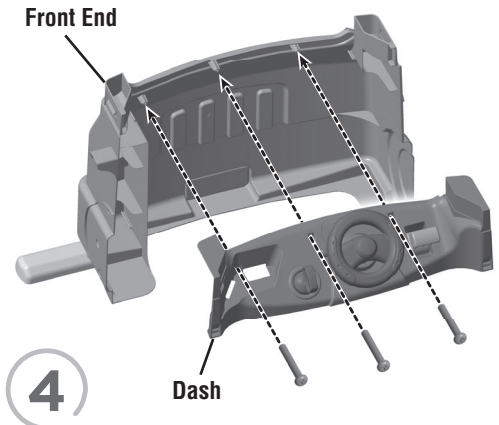
- Turn the front end over.
- Fit the base to the front end.
- Insert two screws into the base and tighten.
- Turn the front end upright.



- Place the label exactly as shown in the illustration to the dash.
- For best results, avoid repositioning the label once it has been applied to the dash.

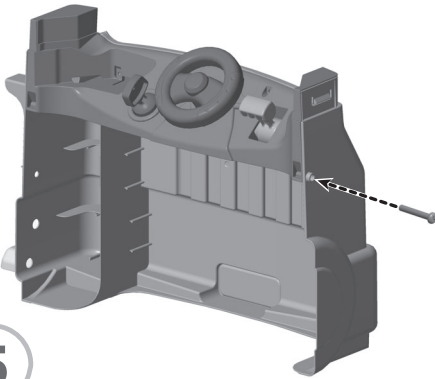
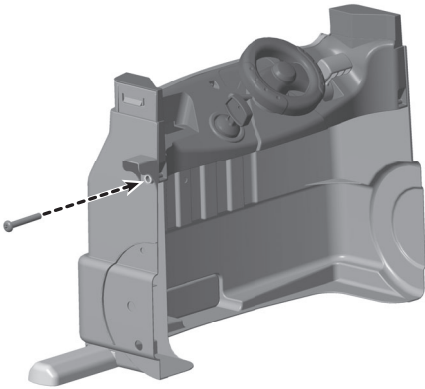


- First, fit the steering wheel into the hole in the dash.
- Then, fit the steering wheel retainer into the end of the steering wheel.
- Insert a screw into the steering wheel retainer and tighten.



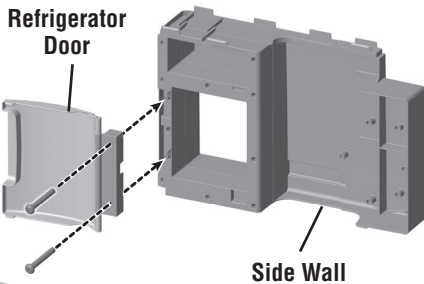
- Fit the dash to the front end.
- Insert three screws into the dash and tighten.

Assembly



5

- Insert a screw into each end of the dash and tighten.



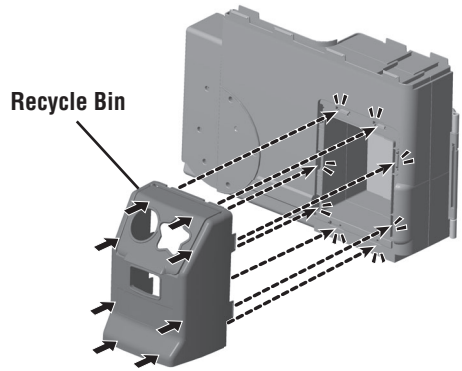
Refrigerator Door

Side Wall

6

INSIDE VIEW

- Fit the refrigerator door to the side wall.
- Insert two screws into the refrigerator door and tighten.

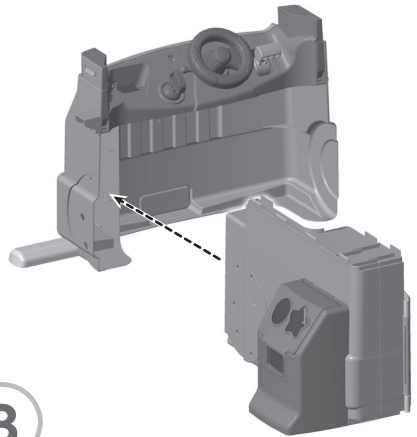


Recycle Bin

7

OUTSIDE VIEW

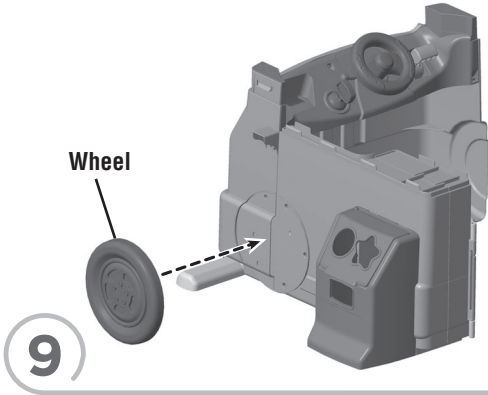
- Insert the tabs on the recycle bin into the slots in the other side of the side wall.
- Push near each tab to “snap” into place.



8

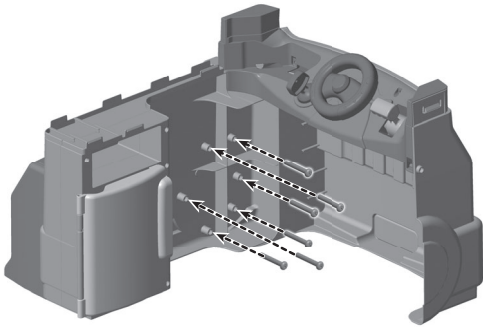
- Fit the side wall assembly to the front end.

Assembly



9

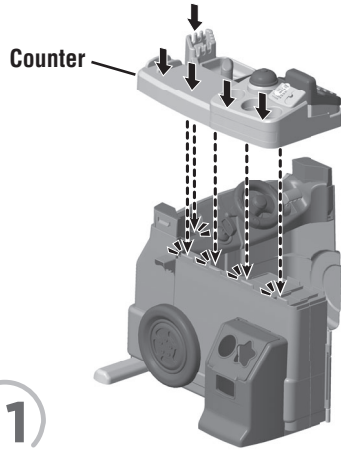
- Fit the wheel to the assembly.



10

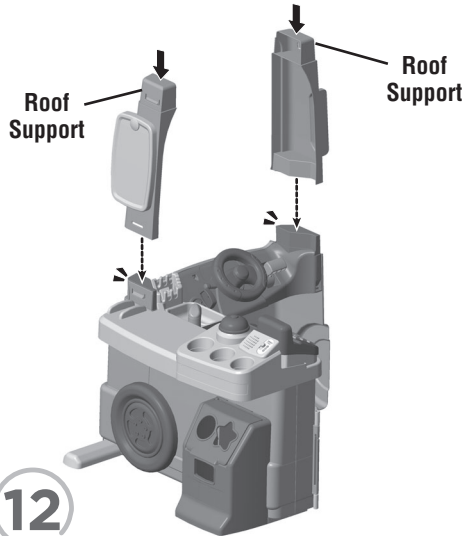
INSIDE VIEW

- From inside the assembly, insert and tighten six screws to attach the wheel.



11

- Fit the slots in the underside of the counter to the tabs on the top side of the assembly.
- Push near each tab to “snap” the counter in place.

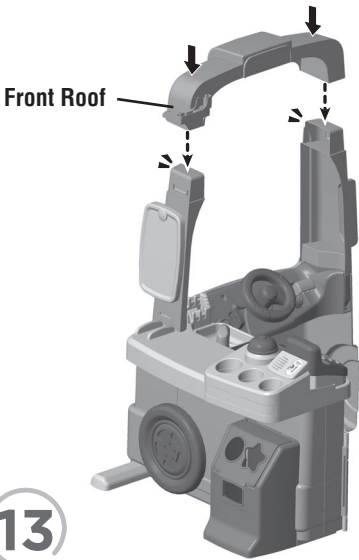


12

- “Snap” the roof supports to the front end of the assembly.

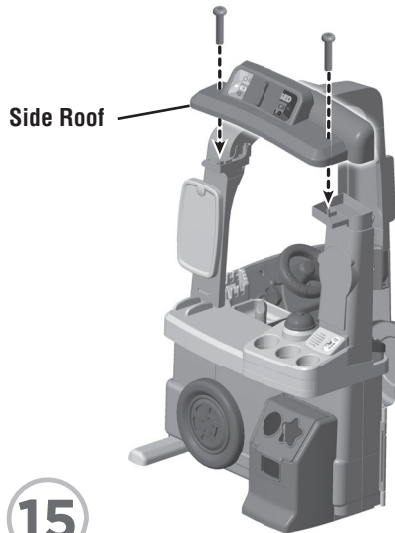
Hint: The roof supports are designed to fit the assembly one way. If a roof support does not seem to fit, turn it around or try assembling a different roof support.

Assembly



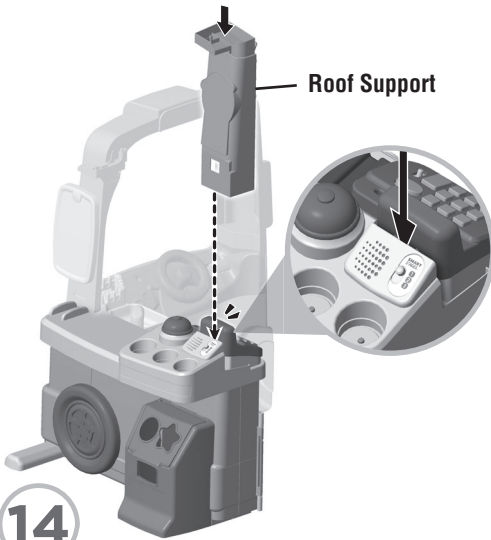
13

- “Snap” the front roof to the roof supports.
- *Hint: The front roof is designed to fit the roof supports one way. If it does not seem to fit, turn it around and try again!*



15

- Fit the side roof to the front roof and the roof support.
- Insert two screws into the side roof and tighten.



14

- Slide the bottom edge of the remaining roof support between the cash register and the speaker.
- Push the roof support to “snap” into place.

Battery Installation



For longer life,
use **alkaline** batteries.

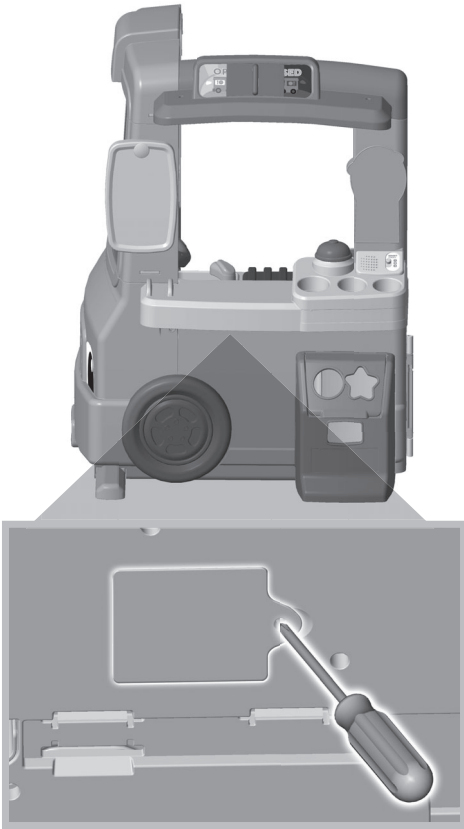


Protect the environment by not disposing of this product or any batteries with household waste. This symbol indicates that this product shall not be treated as household waste. Check your local authority for recycling advice and facilities.

Battery Safety Information

In exceptional circumstances, batteries may leak fluids that can cause a chemical burn injury or ruin your product. To avoid battery leakage:

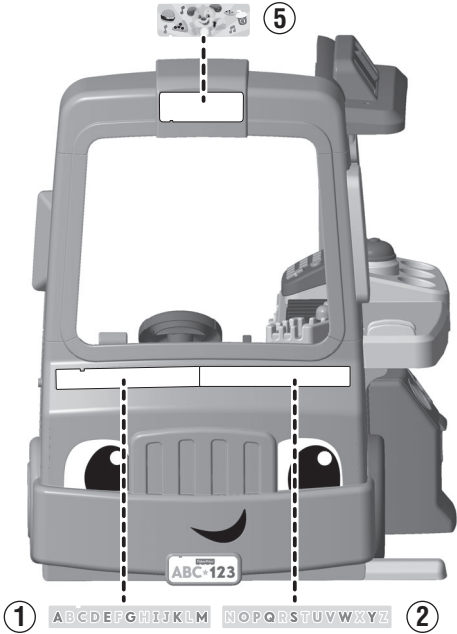
- Do not mix old and new batteries or batteries of different types: alkaline, standard (carbon-zinc) or rechargeable.
- Insert batteries as indicated inside the battery compartment.
- Remove batteries during long periods of non-use. Always remove exhausted batteries from the product. Dispose of batteries safely. Do not dispose of this product in a fire. The batteries inside may explode or leak.
- Never short-circuit the battery terminals.
- Use only batteries of the same or equivalent type, as recommended.
- Do not charge non-rechargeable batteries.
- Remove rechargeable batteries from the product before charging.
- If removable, rechargeable batteries are used, they are only to be charged under adult supervision.



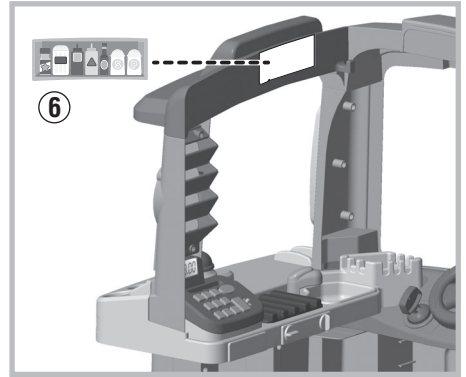
- Locate the battery compartment door on the underside of the counter.
- Loosen the screw in the battery compartment door and remove the door.
- Insert three AA (LR6) **alkaline** batteries.
- Replace the battery compartment door and tighten the screw.
- When sounds/lights from this toy become faint or stop, it's time for an adult to change the batteries.

Decoration

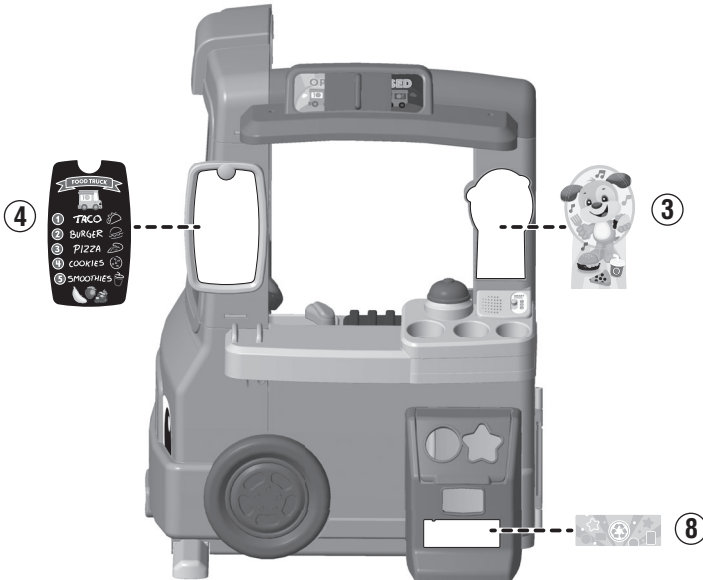
Place the labels exactly as shown in the illustrations.
For best results, avoid repositioning a label once it has been applied to the toy.



FRONT



INSIDE



SIDE

Servin' up a truck load of fun!



- Slide the power/volume switch on the cash register to ON with low volume, ON with high volume or OFF.
- If this toy begins to operate erratically, you may need to reset the electronics. Slide the power/volume switch off and back on.



- Slide the Smart Stages™ mode switch to:
 - 1 Learn** - With each press or push, listen for objects identified, songs, fun phrases and sound effects.
 - 2 Engage** - Listen to prompts to find different shapes, sizes, numbers and foods. Then listen to a fun reward.
 - 3 Imagine** - Listen to fun phrases and songs that encourage pretend play.

Press the faucet

Press the bell



- Push a button on the cash register or insert and push the menu card in the cash register.



- Press the grill!



- Insert and push a cup into the matching size cup holder.

Consumer Information

FCC STATEMENT (UNITED STATES ONLY)

This equipment has been tested and found to comply with the limits for a Class B digital device, pursuant to Part 15 of the FCC rules. These limits are designed to provide reasonable protection against harmful interference in a residential installation. This equipment generates uses and can radiate radio frequency energy and, if not installed and used in accordance with the instructions, may cause harmful interference to radio communications. However, there is no guarantee that interference will not occur in a particular installation. If this equipment does cause harmful interference to radio or television reception, which can be determined by turning the equipment off and on, the user is encouraged to try to correct the interference by one or more of the following measures:

- Reorient or relocate the receiving antenna.
- Increase the separation between the equipment and receiver.
- Consult the dealer or an experienced radio/TV technician for help.

NOTE: Changes or modifications not expressly approved by the manufacturer responsible for compliance could void the user's authority to operate the equipment.

This device complies with Part 15 of the FCC Rules. Operation is subject to the following two conditions: (1) This device may not cause harmful interference, and (2) this device must accept any interference received, including interference that may cause undesired operation.

CAN ICES-3 (B)/NMB-3 (B)

Operation is subject to the following two conditions: (1) this device may not cause interference, and (2) this device must accept any interference, including interference that may cause undesired operation of the device.

L'utilisation de ce dispositif est autorisée seulement aux conditions suivantes : (1) il ne doit pas produire de brouillage et (2) il doit pouvoir tolérer tout brouillage radioélectrique reçu, même si ce brouillage est susceptible de compromettre son fonctionnement.



UNITED STATES

1-800-432-5437. Fisher-Price, Inc.,
636 Girard Avenue, East Aurora, NY 14052.
Hearing-impaired consumers:
1-800-382-7470.

GREAT BRITAIN

Mattel UK Ltd, Vanwall Business Park,
Maidenhead SL6 4UB. Helpline: 01628 500303;
www.service.mattel.com/uk. Mattel Europa B.V.,
Gondel 1, 1186 MJ Amstelveen, Nederland.

CANADA

1-800-432-5437. Mattel Canada Inc.,
6155 Freemont Blvd., Mississauga,
Ontario L5R 3W2.

AUSTRALIA

Mattel Australia Pty. Ltd., 658 Church Street,
Locked Bag #870, Richmond, Victoria 3121
Australia. Consumer Advisory Service
1300 135 312.

NEW ZEALAND

16-18 William Pickering Drive,
Albany 1331, Auckland.

ASIA

Mattel East Asia Ltd., Room 503-09, North
Tower, World Finance Centre, Harbour City,
Tsimshatsui, HK, China. Tel.: (852) 3185-6500.

MALAYSIA

Diimport & Diedarkan Oleh: Mattel Southeast
Asia Pte. Ltd., No 19-1, Tower 3 Avenue 7,
Bangsar South City, No 8, Jalan Kerinchi,
59200 Kuala Lumpur, Malaysia.
Tel: 03-78803817, Fax: 03-78803867.

SOUTH AFRICA

Mattel South Africa (PTY) LTD, Office 102 I3,
30 Melrose Boulevard, Johannesburg 2196.