



## Jungle Quest™



**KEEP INSTRUCTIONS FOR FUTURE USE.**

Read all instructions **BEFORE** assembly and use of product.

**CONSERVER CES INSTRUCTIONS POUR RÉFÉRENCE ULTÉRIEURE.**

Lire les instructions **AVANT** l'assemblage et **L'UTILISATION** du produit.

**GUARDE ESTAS INSTRUCCIONES PARA REFERENCIA FUTURA.**

Lea las instrucciones **ANTES** de armar y **USAR** el producto.

## Table of Contents

Warnings .....	1
Assembling the ExerSaucer .....	1
Attaching the Toys.....	5
Adjusting the Height .....	6
Care and Maintenance.....	6
Limited Warranty .....	7



Tray



Seat Pad



Seat Ring



Stabilizer Tube (3)



Foot (3)



Pylon (3)



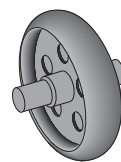
Base



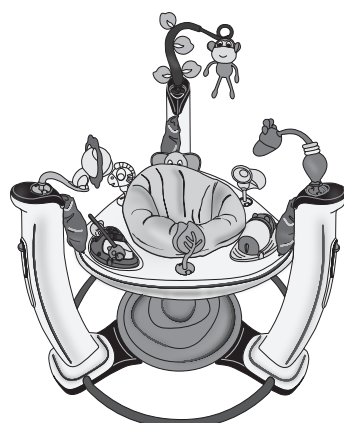
8-16 X 18 mm Screw (15)



8-16 X 75 mm Screw (3)



Wheel (4)



### (1) Hardware Kit Bag

- 1 Instructions
- 3 8-16 x 75 mm Screws
- 15 8-16 x 18 mm Screws

### (1) Toy Kit Bag

- 6 Bags of Toys

## Registration Information

Please register this product so we can reach you if there is a safety alert or recall. We will not sell, rent, or share your personal information. To register your product, please complete and mail the card that came with it or visit our on-line registration at

<http://plweb.evenflo.com/productreg.aspx>

For future reference, record the Model Number and Date of Manufacture below.

Model Number: \_\_\_\_\_ Date of Manufacture: \_\_\_\_\_

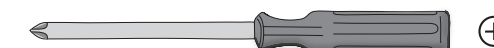
## WARNING

**READ AND FOLLOW ALL WARNINGS AND INSTRUCTIONS! FAILURE TO DO SO COULD RESULT IN SERIOUS INJURY OR DEATH!**

- **NEVER** leave child unattended. **ALWAYS** keep child in view while in the ExerSaucer®.
- Read all instructions before assembly and use of the ExerSaucer.
- Keep instructions for future use.
- Keep children away from unassembled product.
- Adult assembly required. Take care when unpacking and assembling; contains small parts and some items with sharp edges.
- To prevent a possible choking hazard, remove and immediately discard packing material before using this product.
- **STRINGS CAN CAUSE STRANGULATION!**
  - **DO NOT** place the ExerSaucer anywhere near cords from window blinds, draperies, phone, etc.
  - **DO NOT** place items with a string around your child's neck such as hood strings or pacifier cords.
  - **DO NOT** suspend strings over product or attach strings to toys.
- **NEVER** use ExerSaucer near stairs or steps.
- **NEVER** use ExerSaucer near ranges, radiators, space heaters, and fireplaces or any other hot surfaces.
- **NEVER** use ExerSaucer in or near swimming pools or other bodies of water.
- **DO NOT** fill the ExerSaucer tray with water.
- **DO NOT** adjust height while baby is sitting in ExerSaucer.
- **DO NOT** use the ExerSaucer if it is damaged, broken, or is missing any parts.
- **NEVER** use as a sled.
- **DO NOT** allow child to sleep in ExerSaucer.
- **DO NOT** spin baby in seat. Only permit baby to rotate the seat.
- For use by children who are at least 4 months old **AND** can hold up their head and neck unassisted.
- **FALL HAZARD!** Stop using ExerSaucer when your child reaches any of the following developmental stages:
  - Can walk;
  - Is over 30" (76 cm) tall;
  - Can stand flat-footed in the ExerSaucer in the highest adjustment level;
  - Can climb out of the product.
- Allow only the baby's toes to touch the base. **DO NOT** allow the baby to stand flat-footed on the base.
- **DO NOT** use or store this product outdoors.
- To avoid tip over, place product on flat, level floor.
- **DO NOT** mix old and new batteries.
- **DO NOT** mix alkaline and standard (carbon-zinc) batteries. Use only batteries of the same or equivalent type.
- **DO NOT** dispose of batteries in fire, as batteries may explode or leak.
- **DO NOT** use rechargeable batteries.
- **DO NOT** recharge non-rechargeable batteries.
- Promptly remove old batteries from the toy.
- Remove batteries before storing unit for a prolonged period of time.

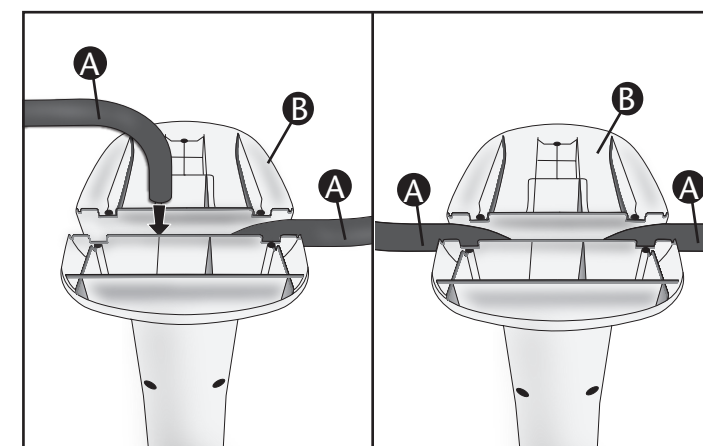
## Tools Required

### Phillips Screwdriver

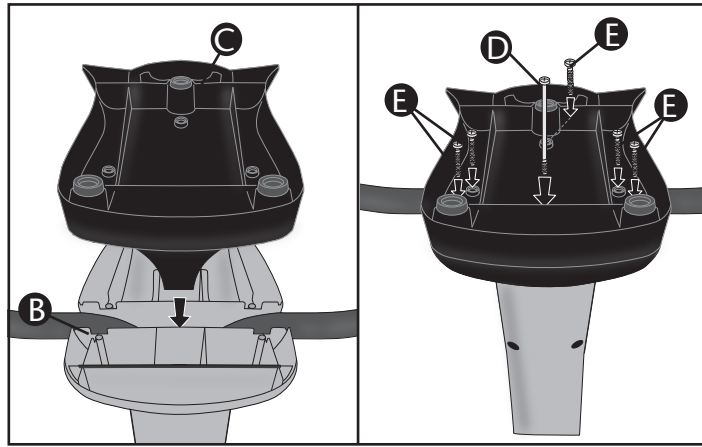


**CAUTION:** Tighten all screws until snug; do not overtighten. Use only screws provided.  
**DO NOT USE POWER TOOLS.**

## Assembling the ExerSaucer

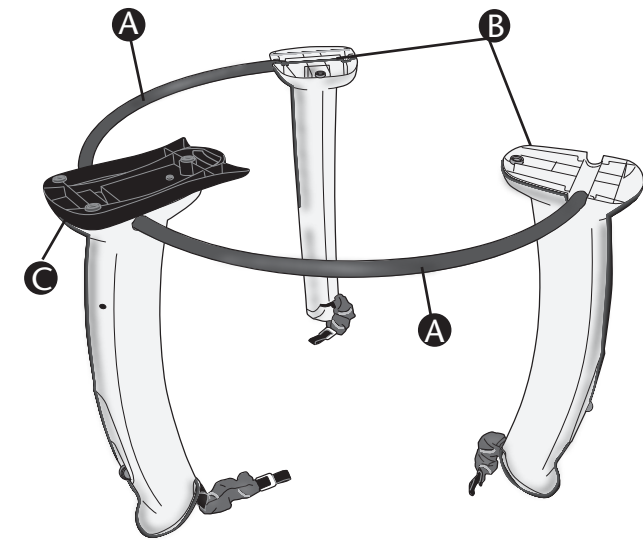


1. Locate two stabilizer tubes **A** and one pylon **B**. Turn the pylon **B** upside down and insert one end of each stabilizer tube **A** into the bottom of the pylon **B**, as shown. Make sure both stabilizer tubes are fully inserted into the bottom of the pylon.



2. Insert a foot **C** into the bottom of the pylon **B**, as shown. Secure with one 8-16 X 75 mm screw **D** and five 8-16 X 18 mm screws **E**. Tighten all five screws securely but do not overtighten. **DO NOT USE POWER TOOLS.**

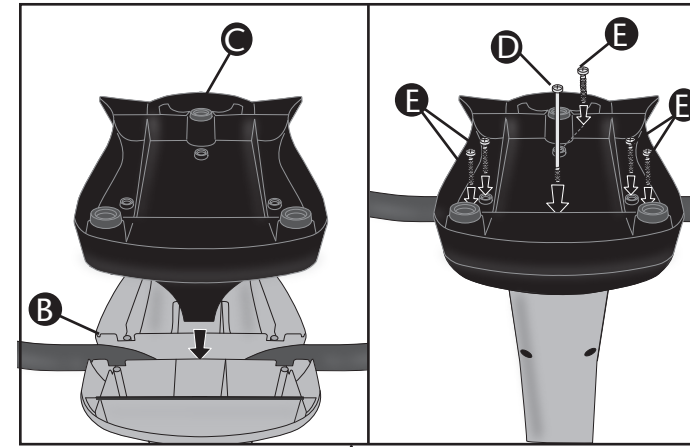
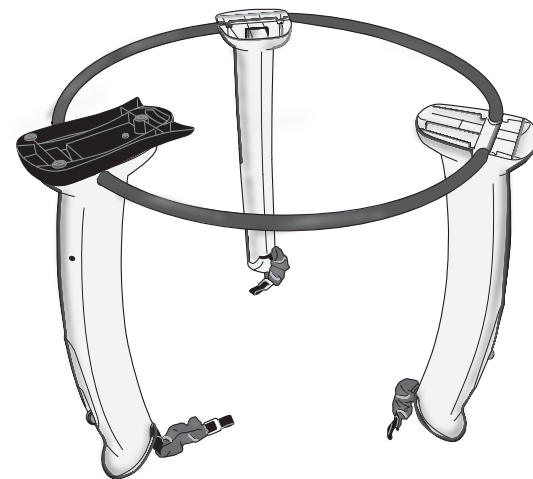
**IMPORTANT:** The foot **MUST** sit completely flat in the bottom of the pylon. If it is raised on either end, then one of the stabilizer tubes is not installed correctly or is not fully inserted. If this is the case, remove the stabilizer tube and reinstall until the foot fits over it correctly.



3. Locate the other two pylons **B**. One at a time, turn them upside down and completely insert the end of a stabilizer tube **A** in each pylon, as shown. Make sure the stabilizer tubes are fully inserted into the bottom of each pylon.

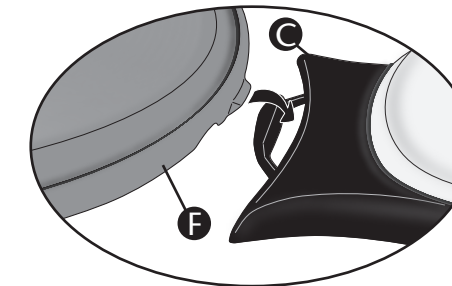
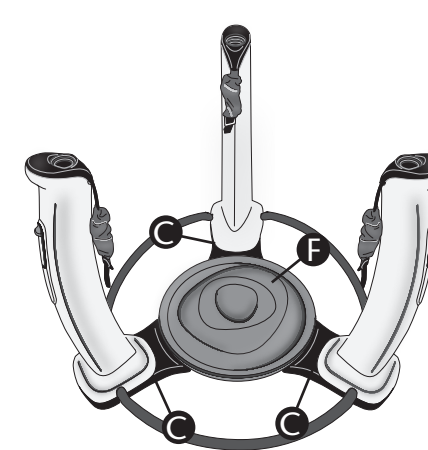
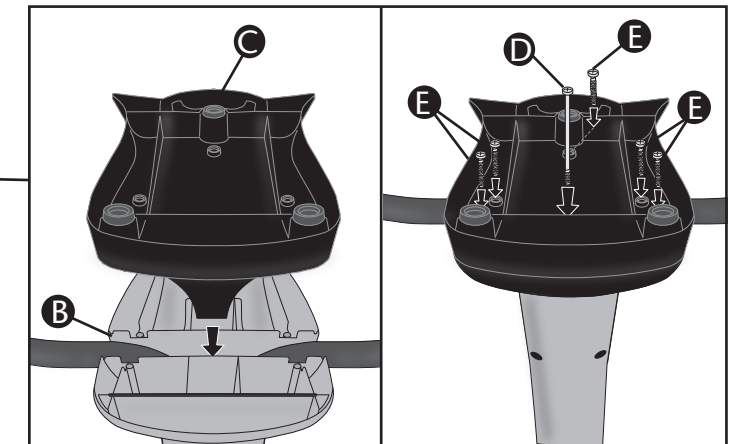
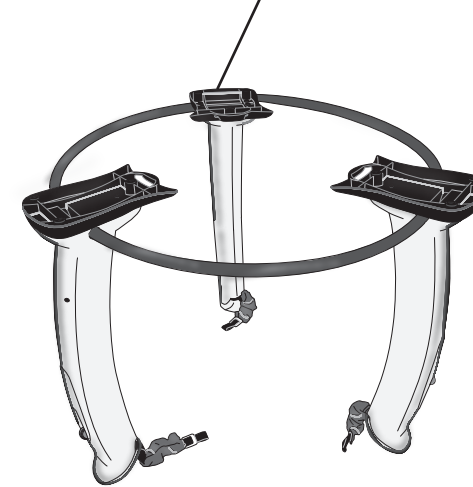


4. Locate the third stabilizer tube **A** and insert into both pylons **B**, as shown. Make sure the stabilizer tube is fully inserted into the bottom of each pylon.

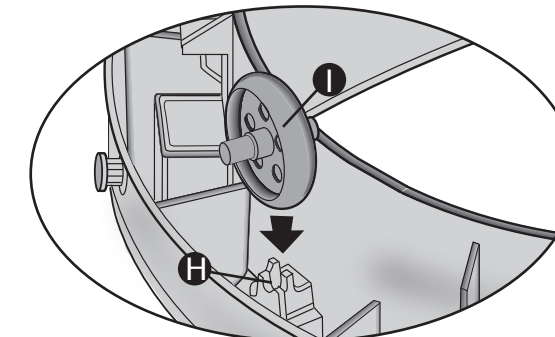
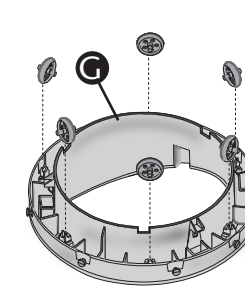


5. Insert a foot **C** into the bottom of each pylon **B**, as shown. Secure each foot with one 8-16 X 75 mm screw **D** and five 8-16 X 18 mm screws **E**. Tighten all 12 screws securely but do not overtighten. **DO NOT USE POWER TOOLS.**

**IMPORTANT:** Each foot **MUST** sit completely flat in the bottom of the pylon. If it is raised on either end, then one of the stabilizer tubes is not installed correctly or is not fully inserted. If this is the case, remove the stabilizer tube and reinstall until the foot fits over it correctly.

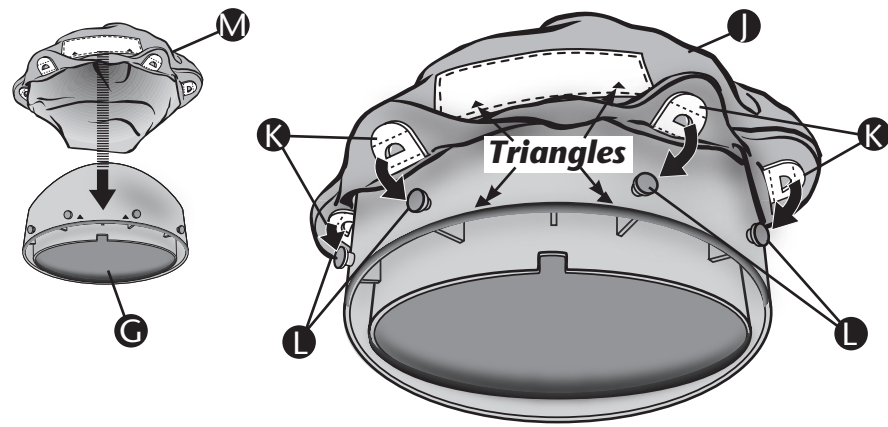


6. Turn the pylon assembly upright, as shown. Locate the base **F** and place it in the center of the ExerSaucer. Insert each tab on the base **F** into each foot **C**, as shown.

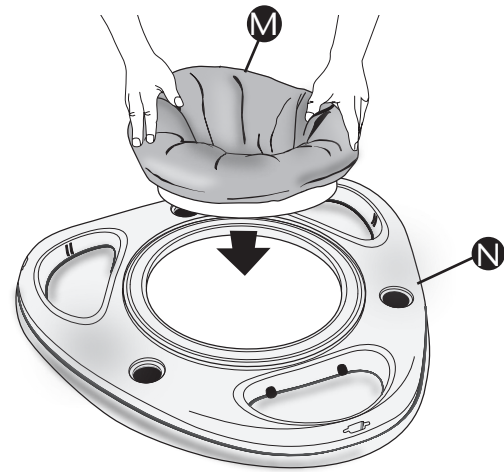


7. Place seat ring **G** upside down and locate the wheel holders **H**. Snap four seat wheels **I** into wheel holders, as shown.

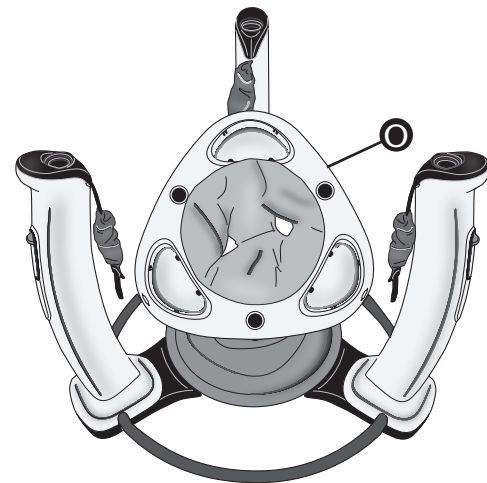




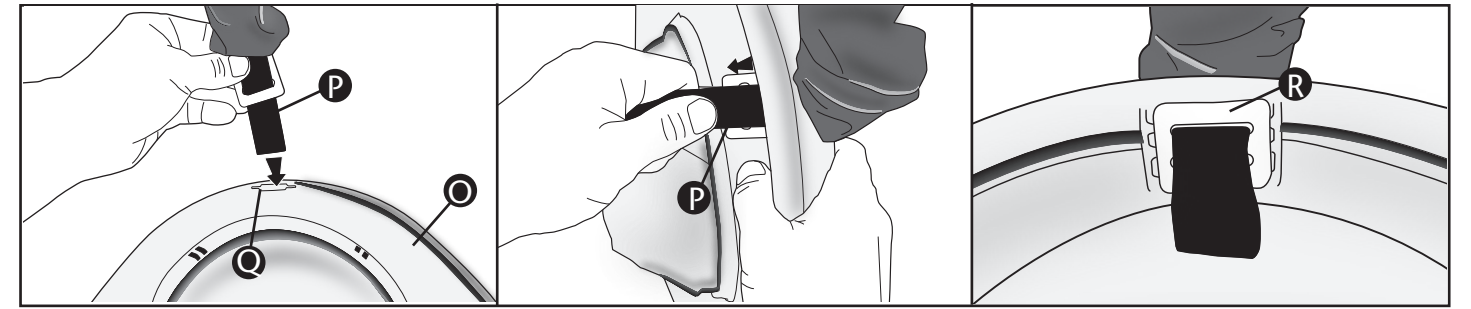
8. Turn seat ring **I** right side up. Align the two **triangles** on the back of the seat ring with the two **triangles** on the label on the seat pad **J**. Snap the plastic tabs **K** on the pad over the pegs **L** on the seat ring. Continue this process until all tabs are attached to all pegs.



9. Press assembled seat **M** down firmly onto the top of the tray **N** until it snaps into place and spins freely.



10. Lean the tray assembly **O** against one of the pylons, as shown.

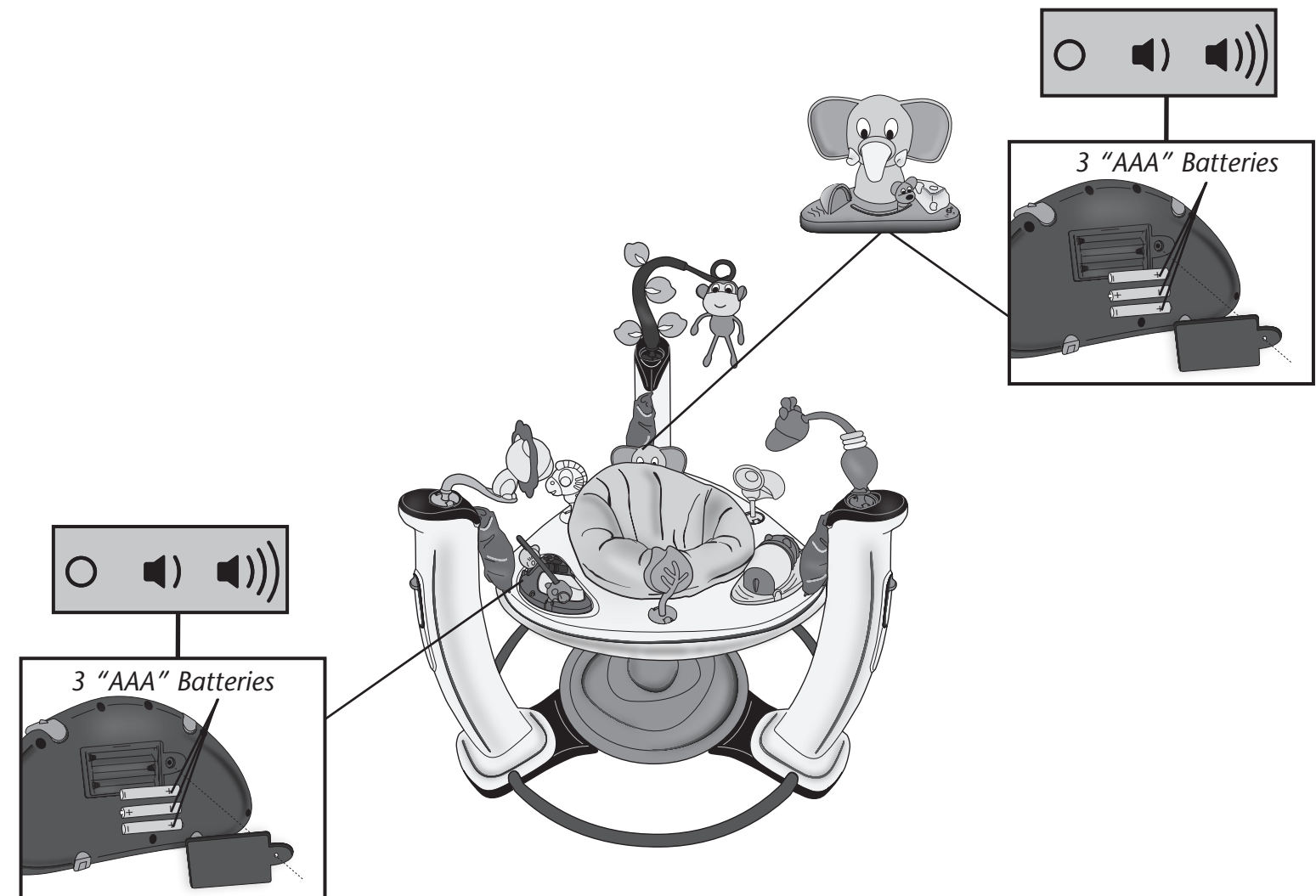


11. Insert a strap **P** through a strap slot **Q** in the tray **O**. Pull the strap completely through the tray making sure the strap anchor **R** lies flat against the bottom of the tray, as shown. Repeat for the other two straps.

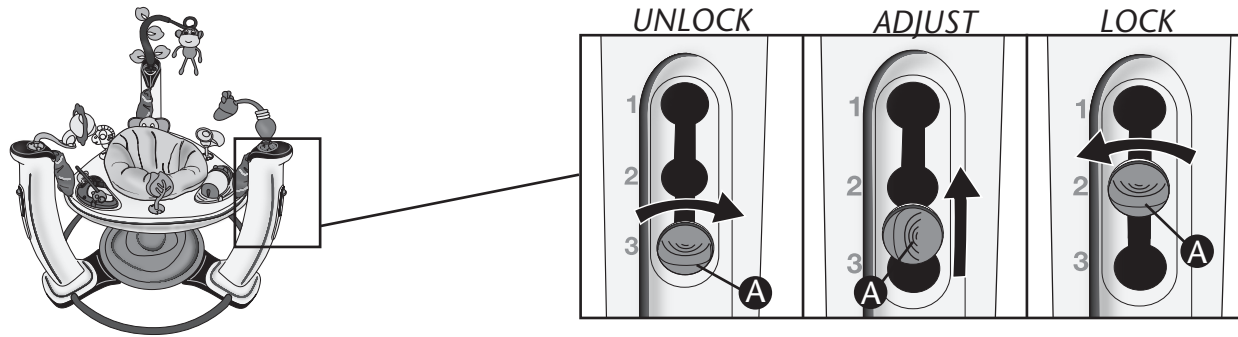
### ⚠ WARNING

To prevent injury, make sure all three strap anchors are completely inserted and resting against the bottom of the tray.

### Attaching the Toys







## ⚠ WARNING

During use, allow the baby's toes only to touch the base. **DO NOT** allow the baby to stand flat-footed on the base. As baby grows and becomes more active, raise the tray to the next level so that baby enjoys the most comfortable fit and maximum use of the spin, and bounce features. Discontinue use when baby can stand flat-footed at the highest setting.

**ALWAYS** remove baby from ExerSaucer before adjusting. Unlock the adjustment knob **A** by turning to the right, then moving until the desired height is obtained (there are three positions). Turn the adjustment knob to the left to lock in place. Repeat the adjustment on the other two pylons. Note: Make sure that all three legs are adjusted to the same position.

**IMPORTANT:** Always make sure the adjustment knobs are locked in position before placing the child in the activity center.

## Care and Maintenance

### For Plastic Parts:

Wipe surface clean with cloth slightly moistened with mild soap and water. Allow to air dry.

### For Seat Pad:

Machine Wash Separately, Cold Water – Delicate Cycle. **NO CHLORINE BLEACH.**

Tumble Dry: 10 – 15 Minutes on Low Heat – Remove Immediately.

If musical toys fail to operate, check the batteries. Note: **ONLY** the AAA batteries are replaceable. Dispose of old batteries safely.

**DO NOT** use this product if any parts are damaged, broken, or missing and call **Evenflo ParentLink at 1-800-233-5921 (U.S.A.), 1-937-773-3971 (Canada), or 01-800-706-12-00 (Mexico).**

### Battery Information

Battery life varies with use. For best results, use alkaline batteries. **Safety Information:** Batteries are small objects. Batteries must be replaced by adults. Follow the polarity (+/-) diagram in the battery compartment.

## ⚠ WARNING

- **DO NOT** mix old and new batteries.
- **DO NOT** mix alkaline and standard (carbon-zinc) batteries. Use only batteries of the same or equivalent type.
- **DO NOT** dispose of batteries in fire, as batteries may explode or leak.
- **DO NOT** use rechargeable batteries.
- **DO NOT** recharge non-rechargeable batteries.
- Promptly remove old batteries from the toy.
- Remove batteries before storing unit for a prolonged period of time.
- The supply terminals are not to be short-circuited.

**Battery Replacement:** To replace batteries, loosen screw and remove battery door. Discard old batteries properly and replace with 3 AAA alkaline or standard batteries. Replace door and tighten screw.

### Troubleshooting:

Toy does not turn on or does not respond.

- Make sure batteries are installed correctly.
- Make sure battery cover is correctly secured.
- Install new batteries.

Toy makes improper responses.

- Check or install new batteries.

For a period of 90 days from the original purchase of this Product, Evenflo warrants to the original end user ("Purchaser") this Product (including any accessories) against defects in material or workmanship. Evenflo's sole obligation under this express limited warranty shall be, at Evenflo's option, to repair or replace any Product that is determined to be defective by Evenflo and determined to be covered by this warranty.

Repair or replacement as provided under this warranty is the exclusive remedy of the Purchaser. Proof of purchase in the form of a receipted invoice or bill of sale evidencing that the Product is within the warranty period must be presented to obtain warranty service. This express limited warranty is extended by Evenflo **ONLY** to the original Purchaser of the Product and is not assignable or transferable to subsequent purchasers or end users of the Product. For warranty service, contact Evenflo's ParentLink Consumer Resource Center at (800) 233-5921 or **www.evenflo.com**.

EXCEPT TO THE EXTENT PROHIBITED BY APPLICABLE LAW, ANY IMPLIED WARRANTY OF MERCHANTABILITY OR FITNESS FOR A PARTICULAR PURPOSE ON THIS PRODUCT IS HEREBY DISCLAIMED. EVENFLO SHALL NOT BE LIABLE FOR ANY INCIDENTAL, CONSEQUENTIAL, SPECIAL OR PUNITIVE DAMAGES OF ANY KIND FOR BREACH OF THE EXPRESS LIMITED WARRANTY ON THIS PRODUCT, OR ANY WARRANTY IMPLIED BY OPERATION OF LAW. OTHER THAN THE EXPRESS LIMITED WARRANTY SET FORTH ABOVE, THERE ARE NO OTHER WARRANTIES THAT ACCOMPANY THIS PRODUCT AND ANY ORAL, WRITTEN OR ANY OTHER EXPRESS REPRESENTATION OF ANY KIND IS HEREBY DISCLAIMED.

This device complies with Part 15 of the FCC Rules. Operation is subject to the following two conditions: (1) this device may not cause harmful interference, and (2) this device must accept any interference received, including interference that may cause undesired operation.

## ⚠ WARNING

*Changes or modifications to this unit not expressly approved by the party responsible for compliance could void the user's authority to operate the equipment.*

**Note:** This equipment has been tested and found to comply with the limits for a Class B digital device, pursuant to Part 15 of the FCC Rules. These limits are designed to provide reasonable protection against harmful interference in a residential installation. This equipment generates, uses, and can radiate radio frequency energy and, if not installed and used in accordance with the instructions, may cause harmful interference to radio communications. However, there is no guarantee that interference will not occur in a particular installation. If this equipment does cause harmful interference to radio or television reception, which can be determined by turning the equipment off and on, the user is encouraged to try to correct the interference by one or more of the following measures:

- Reorient or relocate the receiving antenna.
- Increase the separation between the equipment and receiver.
- Connect the equipment into an outlet on a circuit different from that to which the receiver is connected.
- Consult the dealer or an experienced radio TV technician for help.
- This Class B digital apparatus complies with Canadian ICES-003.

ParentLink®  
answers. advice. affirmation.™

- **www.evenflo.com** • USA: 1-800-233-5921 8 AM – 5 PM E.T.
- Canada: 1-937-773-3971 • México: 01-800-706-12-00

## Table des matières

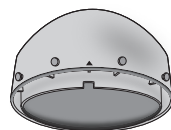
Avertissements .....	9
Assemblage de l'ExerSaucer.....	9
Assemblage des jouets.....	13
Réglage de la hauteur .....	14
Entretien et nettoyage .....	14
Garantie limitée .....	15



Tablette



Coussin du siège



Anneau du siège



Tube de stabilisation (3)



Pied (3)



Montant (3)



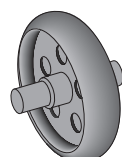
Base



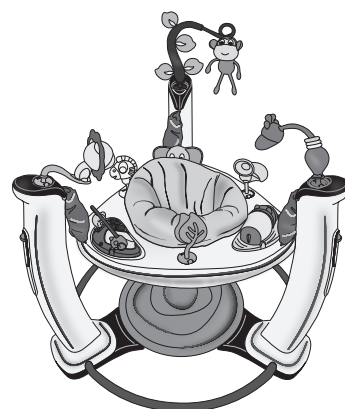
Vis de 8-16 X 18 mm (15)



Vis de 8-16 X 75 mm (3)



Roue (4)



(1) Sachet de petite quincaillerie  
1 Instructions  
3 Vis de 8-16 x 75 mm  
15 Vis de 8-16 x 18 mm

(1) Sachet du kit de jouets  
6 Sacs de jouets

### Informations d'enregistrement

Nous vous prions d'enregistrer ce produit afin de pouvoir être contacté en cas d'avertissement de sécurité ou de rappel. Nous nous engageons à ne pas vendre, louer ou partager vos informations personnelles. Pour enregistrer ce produit, compléter et envoyer la carte jointe au produit ou visiter notre site d'enregistrement en ligne à

<http://plweb.evenflo.com/productreg.aspx>

Pour référence ultérieure, noter le numéro de modèle et la date de fabrication ci-dessous.

Numéro de modèle : \_\_\_\_\_ Date de fabrication : \_\_\_\_\_

## AVERTISSEMENT

**LIRE ET SUIVRE TOUS LES AVERTISSEMENTS ET INSTRUCTIONS ! SINON CELA POURRAIT ÊTRE SOURCE DE BLESSURES GRAVES VOIRE MORTELLES !**

- **NE JAMAIS** laisser l'enfant sans surveillance. **TOUJOURS** garder l'enfant dans le champ de vision lorsqu'il est dans l'ExerSaucerMD.
- Lire toutes les instructions avant d'assembler et d'utiliser l'ExerSaucer.
- Garder les instructions pour référence ultérieure.
- Garder l'enfant à distance du produit non assemblé.
- Assemblage par adulte impératif. Être prudent lors du déballage et de l'assemblage; contient des petites pièces et certains articles à bords tranchants.
- Afin d'éviter le danger éventuel d'étouffement, retirer et mettre immédiatement au rebut le matériel d'emballage avant d'utiliser ce produit.
- **LES CORDONS PRÉSENTENT UN DANGER D'ÉTRANGLEMENT !**
  - **NE PAS** placer l'ExerSaucer à proximité de cordons de stores, de rideaux, de téléphone, etc.
  - **NE PAS** placer d'articles à cordon autour du cou de l'enfant notamment, des cordons de capuchons ou de sucettes.
  - **NE PAS** suspendre de cordons au produit ou attacher des cordons aux jouets.
- **NE JAMAIS** utiliser à proximité d'un escalier ou de marches.
- **NE JAMAIS** utiliser l'ExerSaucer à proximité de cuisinières, de chaudières, de radiateurs personnels et de cheminées ou de toutes autres surfaces chaudes.
- **NE JAMAIS** utiliser l'ExerSaucer dans ou à proximité d'une piscine ou autres étendues d'eau.
- **NE PAS** remplir la tablette de l'ExerSaucer avec de l'eau.
- **NE PAS** régler la hauteur de l'ExerSaucer si un bébé est assis dans celui-ci.
- **NE PAS** utiliser l'ExerSaucer s'il est endommagé, cassé ou si des pièces manquent.
- **NE JAMAIS** l'utiliser comme traîneau.
- **NE PAS** laisser l'enfant dormir dans l'ExerSaucer.
- **NE PAS** faire virevolter le bébé dans le siège. Permettre uniquement au bébé de faire tourner le siège.
- L'ExerSaucer est destinée aux enfants qui sont âgés d'au moins 4 mois **ET** qui peuvent tenir leur tête et leur cou droits sans aide.
- **DANGER DE CHUTE !** Cesser d'utiliser l'ExerSaucer lorsque l'enfant atteint l'un des stades de développement suivants :
  - Peut marcher tout seul.
  - Est de taille supérieure à 76 cm (30 po).
  - Peut se tenir debout, pieds à plat, dans l'ExerSaucer réglé en position la plus haute.
  - Peut grimper hors du produit.
- Seuls les orteils du bébé doivent toucher le sol. **NE PAS** permettre au bébé de se tenir debout, pieds à plat, sur la base.
- **NE PAS** utiliser ou entreposer ce produit à l'extérieur.
- Pour empêcher qu'il ne se renverse, placer ce produit sur une surface plane de niveau.
- **NE PAS** mélanger des piles usagées et des piles neuves.
- **NE PAS** mélanger des piles alcalines et standard (carbone zinc). Utiliser uniquement des piles ou batteries identiques ou équivalentes au type recommandé.
- **NE PAS** jeter les piles dans le feu car elles risquent d'exploser ou de fuir.
- **NE PAS** utiliser des batteries rechargeables.
- **NE PAS** recharger les piles non-rechargeables.
- Retirer immédiatement les piles usagées du jouet.
- Retirer les piles avant de ranger l'unité pour une période prolongée.

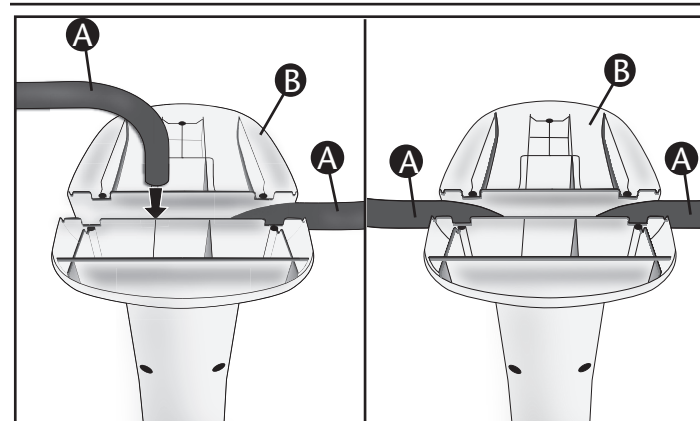
### Outillage nécessaire

#### Tournevis cruciforme

**ATTENTION :** Bien serrer toutes les vis, sans les serrer outre mesure. Utiliser uniquement les vis fournies. **NE PAS UTILISER D'OUTILS ÉLECTRIQUES.**

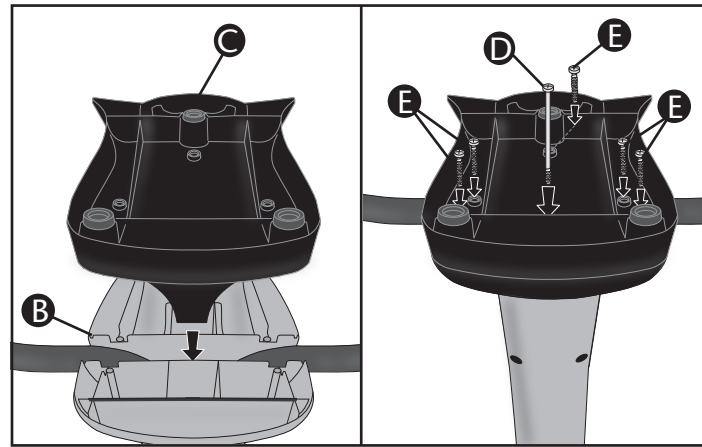


### Assemblage de l'ExerSaucer



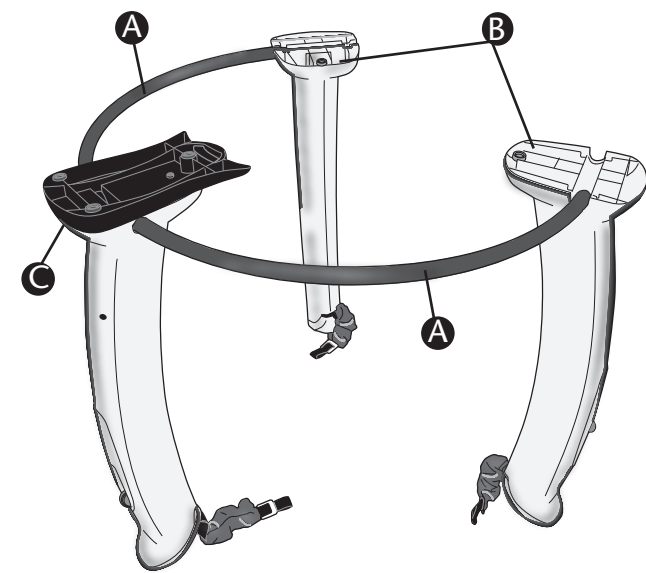
1. Repérer deux tubes de stabilisation **A** et un montant **B**. Mettre le montant à l'envers et insérer une extrémité de chaque tube de stabilisation **A** dans le bas du montant **B**, comme illustré. S'assurer d'avoir inséré à fond chaque tube de stabilisation dans le bas du montant.





2. Insérer un pied **C** dans le bas du montant **B**, comme illustré. L'attacher avec une vis de 8-16 x 75 mm **D** et cinq vis de 8-16 x 18 mm **E**. Bien serrer les cinq vis, sans trop les serrer. **NE PAS UTILISER D'OUTILS ÉLECTRIQUES.**

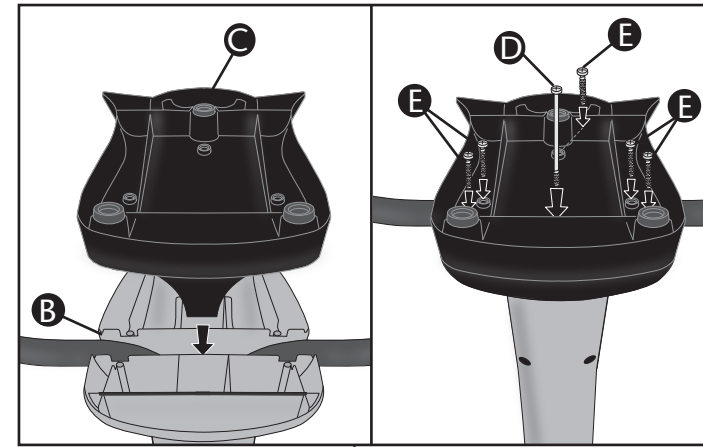
**IMPORTANT :** Le pied **DOIT** reposer complètement à plat sur le bas du montant. S'il est surélevé à l'une des extrémités, un des tubes de stabilisation n'est pas monté correctement ou n'a pas été inséré à fond. Si c'est le cas, retirer le tube de stabilisation et le remonter jusqu'à ce que le pied s'ajuste correctement.



3. Repérer les deux autres montants **B**. En procédant avec un montant à la fois, les mettre à l'envers et insérer complètement l'extrémité d'un tube de stabilisation **A** dans chaque montant, comme illustré. S'assurer d'avoir inséré à fond les tubes de stabilisation dans le bas de chaque montant.

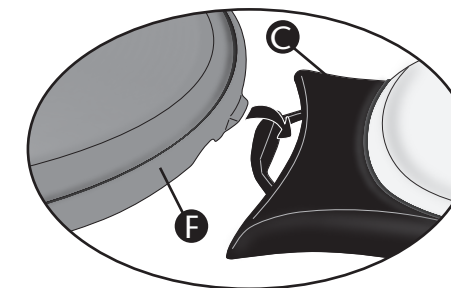
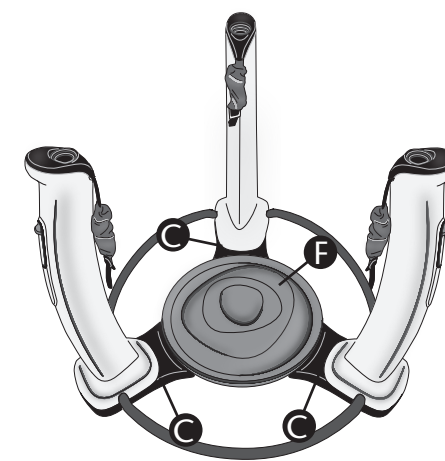
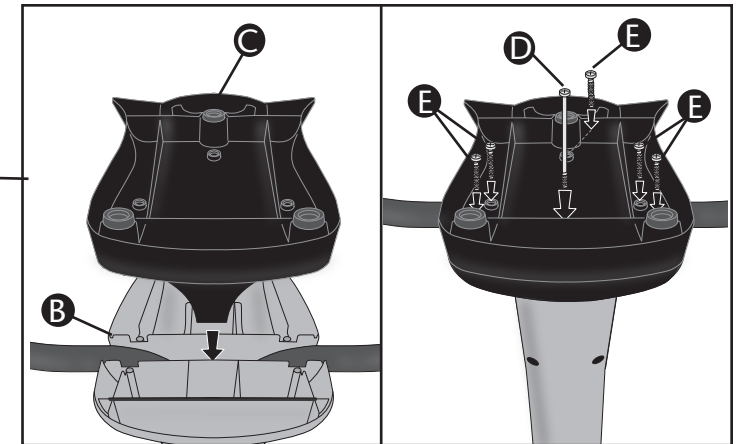
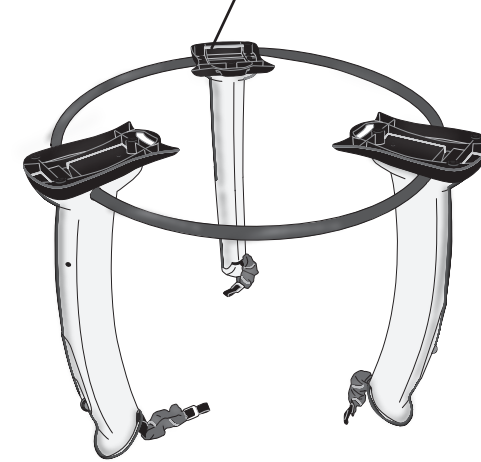


4. Repérer le troisième tube de stabilisation **A** et l'insérer dans les deux montants **B**, comme illustré. S'assurer d'avoir inséré à fond le tube de stabilisation dans le bas de chaque montant.

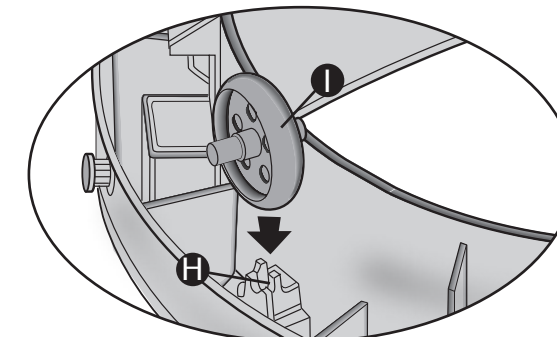
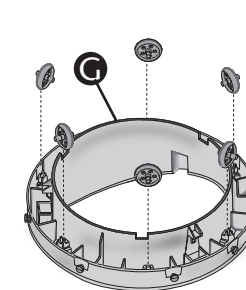


5. Insérer un pied **C** dans le bas de chaque montant **B**, comme illustré. Attacher chaque pied avec une vis de 8-16 x 75 mm **D** et cinq vis de 8-16 x 18 mm **E**. Bien serrer les 12 vis, mais ne pas les serrer trop fort. **NE PAS UTILISER D'OUTILS ÉLECTRIQUES.**

**IMPORTANT :** Chaque pied **DOIT** reposer complètement à plat sur le bas du montant. S'il est surélevé à l'une des extrémités, un des tubes de stabilisation n'est pas monté correctement ou n'a pas été inséré à fond. Si c'est le cas, retirer le tube de stabilisation et le remonter jusqu'à ce que le pied s'ajuste correctement.

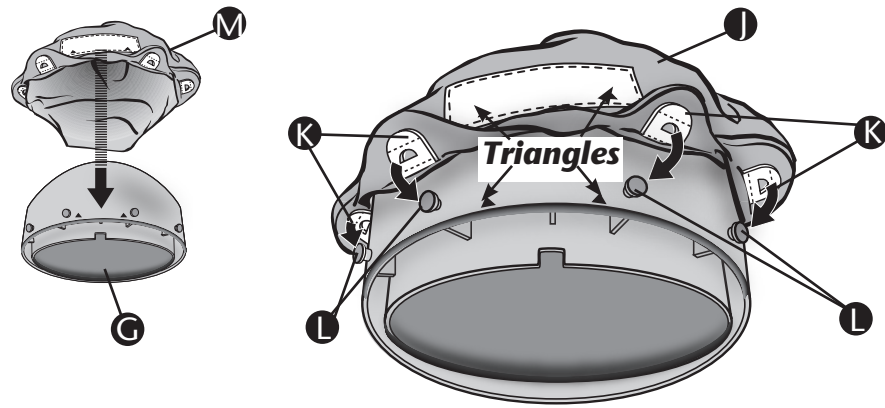


6. Mettre le montant assemblé en position verticale, comme illustré. Repérer la base **F** et la placer au centre de l'ExerSaucer. Insérer chaque languette située sur la base **F** dans chaque pied **C**, comme illustré.

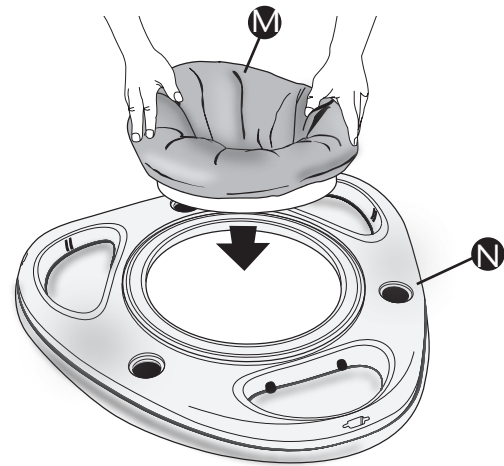


7. Placer l'anneau du siège **G** à l'envers et repérer les emplacements des roulettes **H**. Enclencher quatre (4) roulettes de siège **I** dans les emplacements des roulettes, comme illustré.

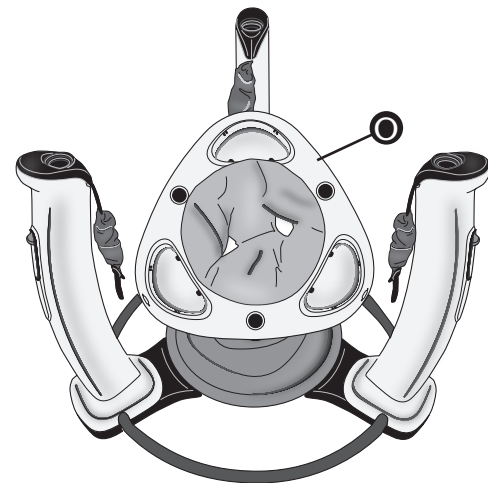




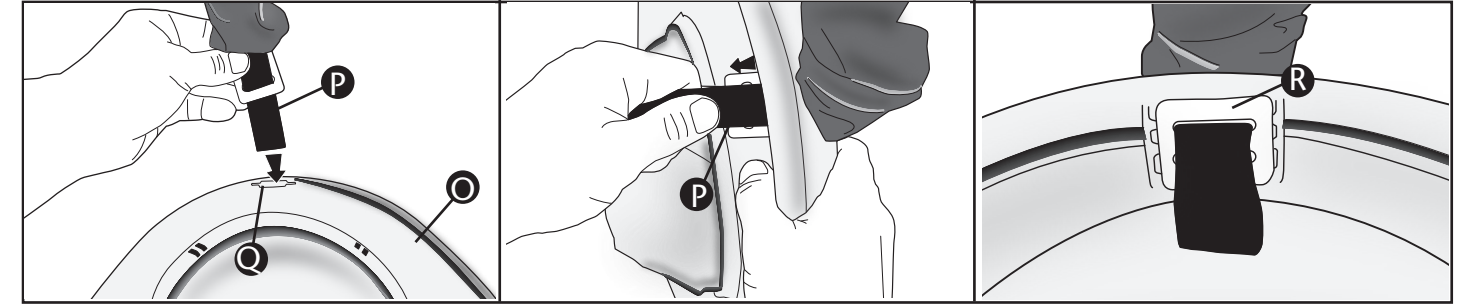
8. Retourner l'anneau du siège ❸. Aligner les deux **triangles** situé sur l'arrière de l'anneau du siège et les deux **triangles** situé sur l'étiquette du coussin du siège ❶. Enclencher les languettes en plastique ❷ du coussin du siège sur les chevilles ❹ situées sur l'anneau du siège. Continuer ce processus jusqu'à ce que toutes les languettes soient attachées aux chevilles.



9. Poser l'anneau du siège assemblé ❸ sur le dessus de la tablette ❶ et appuyer fermement jusqu'à ce que l'anneau s'enclenche et tourne librement.



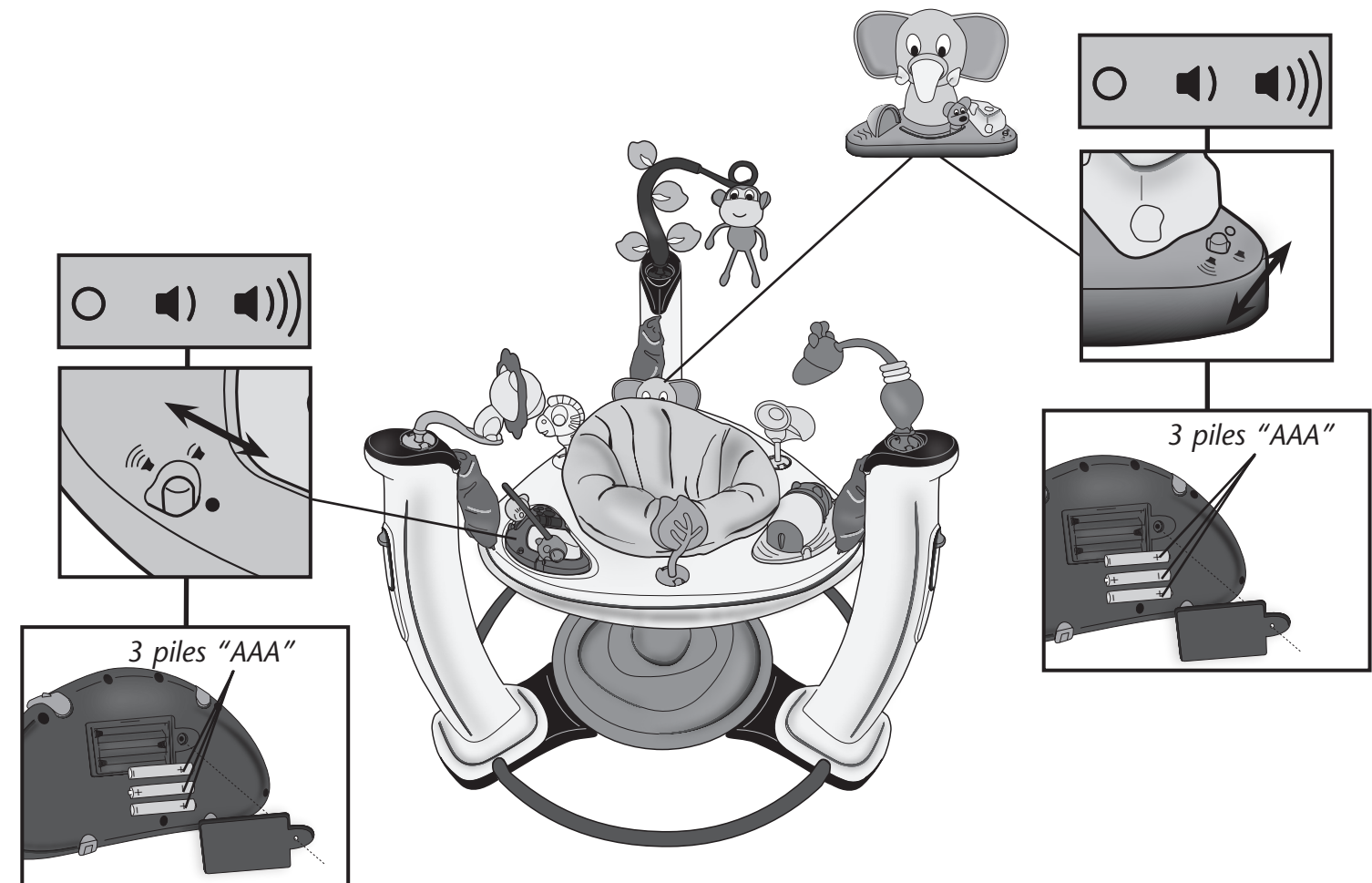
10. Faire reposer la tablette ❶ contre l'un des montants, comme illustré.

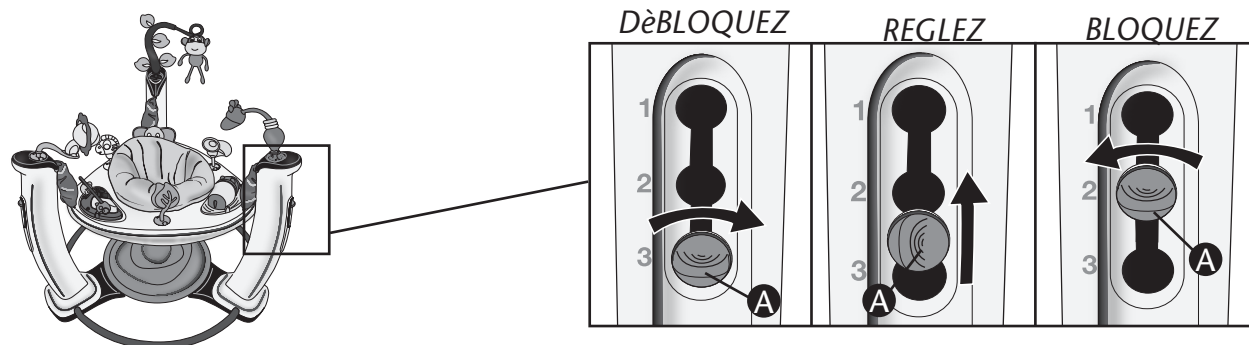


11. Faire passer une sangle ❷ par la fente de sangle ❹, située sur la tablette ❶. La tirer complètement au travers de la tablette en s'assurant que l'ancrage de la sangle ❸ repose à plat contre le fond de la tablette, comme illustré. Répéter l'opération pour les deux autres sangles.

### ⚠ AVERTISSEMENT

Afin d'éviter les blessures, s'assurer que les trois ancrages de sangles sont complètement insérés dans la fente et reposent à plat contre le fond de la tablette.





## ⚠ AVERTISSEMENT

Pendant l'utilisation, seuls les orteils du bébé doivent toucher la base. **NE PAS** permettre au bébé de se tenir debout, les pieds à plat, sur la base. Au fur et à mesure que le bébé grandit et devient plus actif, relever la tablette au niveau suivant pour que le bébé soit le plus confortable possible et profite au maximum des caractéristiques de pivotement et de saut. Cesser de l'utiliser lorsque le bébé peut se tenir debout, les pieds à plat, au niveau le plus élevé.

**TOUJOURS** retirer le bébé de l'ExerSaucer avant le réglage. Débloquer le pommeau de réglage R en le faisant tourner vers la droite et en le réglant à la hauteur désirée (il existe trois positions). Faire tourner le pommeau de réglage vers la gauche pour bloquer. Répéter le réglage sur les deux autres montants. Remarque : S'assurer de régler les trois montants à la même position.

**IMPORTANT :** Toujours s'assurer que les pommeaux de réglage sont bloqués en position avant de mettre un enfant dans le centre d'activités.

## Entretien et nettoyage

### Pour les pièces en plastique :

Nettoyer la surface en l'essuyant avec un linge légèrement humidifié d'eau savonneuse. Laisser sécher à l'air.

### Pour le revêtement de siège :

Pour obtenir les meilleurs résultats – Laver séparément en machine, à l'eau froide et en cycle délicat. **PAS D'EAU DE JAVEL.**

Sécher au sèche-linge : 10 à 15 minutes à basse température et retirer immédiatement.

Si les jouets musicaux ne fonctionnent pas, vérifier les piles.

**Remarque :** **SEULES** les piles « AAA » peuvent être remplacées. Mettre les piles usagées au rebut de manière appropriée.

**NE PAS** utiliser ce produit si des pièces sont endommagées, cassées ou si des pièces manquent et appeler le «**ParentLink**» d'Evenflo en composant le **1-937-773-3971 (Canada) ou le 1-800-233-5921 (É.-U.)**.

### INFORMATIONS CONCERNANT LES PILES

La durée d'utilisation des piles varie selon l'usage. Pour obtenir les meilleurs résultats, utiliser des piles alcalines.

**Informations concernant la sécurité :** Les piles sont des petits objets. Les piles doivent être remplacées par des adultes.

Observer le diagramme de polarité (+/-) du compartiment des piles.

## ⚠ AVERTISSEMENT

- **NE PAS** mélanger des piles usagées et des piles neuves.
- **NE PAS** mélanger des piles alcalines et standard (carbone zinc). Utiliser uniquement des piles de type identique ou équivalent.
- **NE PAS** jeter les piles dans le feu car elles risquent d'exploser ou de fuir.
- **NE PAS** utiliser des batteries rechargeables.
- **NE PAS** recharger les piles non-rechargeables.
- Retirer immédiatement les piles usagées du jouet.
- Retirer les piles avant de ranger l'unité pour une période prolongée.
- Utiliser uniquement des piles identiques ou équivalentes au type recommandé.
- Les bornes d'alimentation ne doivent pas être court-circuitées.

**Remplacement des piles :** Pour remplacer les piles, desserrer la vis et retirer le couvercle du compartiment des piles. Mettre les piles usagées au rebut de manière appropriée et les remplacer avec 3 piles alcalines « AAA » ou standard. Remettre en place le couvercle et resserrer la vis.

### Problèmes et solutions :

Le jouet ne démarre pas ou ne fonctionne pas correctement.

- Vérifier si les piles sont installées correctement.
- Vérifier si le couvercle du compartiment des piles est bien fermé.
- Installer des piles neuves.

Le jouet ne fonctionne pas correctement.

- Vérifier les piles ou installer des piles neuves.

Evenflo garantit ce Produit (y compris les accessoires) à l'utilisateur final d'origine (« Acheteur ») contre tout défaut de matériau ou de fabrication pour une période de quatre-vingt-dix (90) jours à partir de la date de l'achat initial de ce produit. La seule responsabilité d'Evenflo sous les termes de cette garantie explicite limitée est de réparer ou de remplacer, à sa discrétion, tout Produit qu'il jugera être défectueux et qui sera déterminé par Evenflo être couvert sous les termes de cette garantie.

La réparation ou le remplacement sous les termes de cette garantie est le seul recours de l'Acheteur. La preuve d'achat sous la forme d'une facture ou d'un contrat de vente, prouvant que le produit est toujours sous la période de garantie, doit être fournie pour obtenir le service de garantie. Cette garantie explicite limitée est accordée EXCLUSIVEMENT par Evenflo à l'Acheteur initial de ce Produit et ne peut être attribuée, ni transférée aux acheteurs ou utilisateurs ultérieurs de ce Produit. Pour le service de garantie, veuillez contacter le centre «ParentLink Consumer Resource Center» d'Evenflo au 1-937-773-3971 ou [www.evenflo.com](http://www.evenflo.com).

À L'EXCEPTION DE CE QUI EST INTERDIT PAR LA LOI APPLICABLE, TOUTE GARANTIE IMPLICITE DE VALEUR COMMERCIALE OU D'ADAPTATION À UN USAGE PARTICULIER DE CE PRODUIT EST EXCLUE. EVENFLO NE SERA PAS TENU POUR RESPONSABLE POUR TOUS DOMMAGES ACCESSOIRES, INDIRECTS, SPÉCIAUX OU DOMMAGES-INTÉRÊTS DE QUELQUE SORTE QUE CE SOIT POUR MANQUEMENT À TOUTE GARANTIE EXPLICITE LIMITÉE DE CE PRODUIT OU TOUTE GARANTIE IMPLICITE SOUS-ENTENDUE PAR LA LOI. AUCUNE AUTRE GARANTIE NE COUVRE CE PRODUIT. À L'EXCEPTION DE LA GARANTIE EXPLICITE LIMITÉE CI-PRÉSENTÉE, AUCUNE AUTRE GARANTIE NE COUVRE CE PRODUIT ET TOUTE REPRÉSENTATION ORALE, ÉCRITE OU EXPLICITE DE QUELQUE SORTE QUE CE SOIT EST EXCLUE PAR LA PRÉSENTE.

Cet appareil est en conformité avec l'article 15 du règlement de la FCC. Son fonctionnement est sujet aux deux conditions suivantes : (1) cet appareil ne doit pas provoquer d'interférences nuisibles et (2) il doit accepter toute interférence reçue, y compris celles risquant d'engendrer un fonctionnement indésirable.

## ⚠ AVERTISSEMENT

Toute modification de ce produit n'ayant pas été expressément approuvée par l'autorité responsable de la conformité à la réglementation peut annuler le droit de l'utilisateur à exploiter l'équipement.

**Remarque :** Cet équipement a été testé et déclaré conforme aux limitations prévues dans le cadre de la catégorie B des appareils numériques, définie par l'article 15 du règlement de la FCC. Ces limitations sont stipulées aux fins de garantir une protection raisonnable contre les interférences nuisibles en installation résidentielle. Cet équipement engendre, utilise et peut émettre de l'énergie radioélectrique par rayonnement et, s'il n'est pas installé et utilisé conformément aux instructions, peut occasionner des interférences préjudiciables aux communications radio. Cependant, nous ne pouvons pas garantir qu'aucune interférence ne se produira dans une installation particulière. Si cet équipement produit des interférences importantes lors de réceptions radio ou télévisées, qui peuvent être détectées en éteignant puis en rallumant l'appareil, essayer de corriger l'interférence au moyen de l'une ou de plusieurs des mesures suivantes :

- Réorienter ou déplacer l'antenne réceptrice.
- Augmenter la distance entre l'équipement et le récepteur.
- Brancher l'équipement dans la prise électrique d'un circuit différent de celui auquel le récepteur est relié.
- Contacter le revendeur ou un technicien radio/télévision qualifié pour toute assistance.
- Cet appareil numérique de la classe B est conforme à la norme NMB-003 du Canada.

ParentLink®  
answers. advice. affirmation.™

- [www.evenflo.com](http://www.evenflo.com) • USA: 1-800-233-5921 8 h à 17 h, heure normale de l'Est
- Canada: 1-937-773-3971 • México: 01-800-706-12-00



Advertencias .....	17
Ensamblado del ejercitador.....	17
Cómo montar los juguetes.....	21
Ajuste de la altura.....	22
Cuidado y mantenimiento.....	22
Garantía limitada para consumidores que residen en Estados Unidos .....	24
Garantía limitada para consumidores que residen en México .....	24



Charola



Acolchado del asiento



Anillo del asiento



Tubo estabilizador (3)



Pata (3)



Columna de suspensión (3)



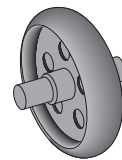
Base



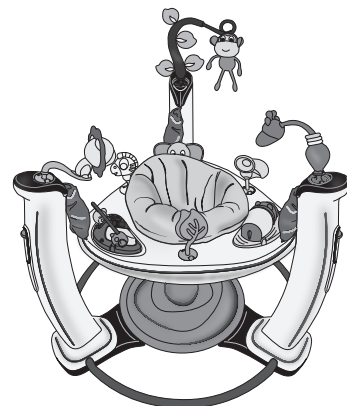
Tornillos de 8-16 X 18 mm (15)



Tornillos de 8-16 X 75 mm (3)



Rueda (4)



- (1) Bolsa de accesorios
- 1 Instrucciones
- 3 Tornillos de 8-16 x 75 mm
- 15 Tornillos de 8-16 x 18 mm

- (1) Bolsa de juguetes
- 6 Bolsas de juguetes

**Información de Registro**

Registre este producto para que podamos comunicarnos con usted en caso de un aviso de seguridad o retiro de producto del mercado. No venderemos, alquilaremos ni compartiremos su información personal. Para registrar su producto, llene debidamente y envíe por correo la tarjeta que se incluye o visite nuestro registro en línea en

<http://plweb.evenflo.com/productreg.aspx>

Para referencia futura, registre el número de modelo y la fecha de fabricación abajo.

Número de modelo: \_\_\_\_\_ Fecha de la fabricación : \_\_\_\_\_

**ADVERTENCIA**

**¡LEA Y SIGA TODAS LAS ADVERTENCIAS E INSTRUCCIONES. NO HACERLO PODRÍA OCASIONAR LESIONES GRAVES O LA MUERTE!**

- **NUNCA** deje al niño sin supervisión. **SIEMPRE** mantenga al niño a la vista cuando use el ejercitador ExerSaucer®.
- Lea todas las instrucciones antes de ensamblar y usar el ejercitador ExerSaucer.
- Guarde las instrucciones para referencia futura.
- Mantenga a los niños alejados del producto sin ensamblar.
- Se requiere que un adulto ensamble el producto. Tenga cuidado al desempacar y ensamblar el producto; contiene partes pequeñas y algunos artículos con bordes afilados.
- Para evitar un posible peligro de asfixia, retire y descarte de inmediato el material de empaque antes de usar este producto.
- **¡LOS CORDONES PUEDEN CAUSAR ESTRANGULACIÓN!**
  - **NO** coloque el ejercitador ExerSaucer en ningún lugar cercano a los cordones de persianas, cortinas, teléfono, etc.
  - **NO** coloque artículos con cordón alrededor del cuello del niño, como lazos de gorros o cordones de chupón.
  - **NO** suspenda cordones sobre el producto ni ponga cordones en los juguetes.
- **NUNCA** use este producto cerca de escaleras o escalones.
- **NUNCA** use el ejercitador ExerSaucer cerca de hornillas, radiadores, calefactores y chimeneas o cualquier otra superficie caliente.
- **NUNCA** use el ejercitador ExerSaucer en o cerca de albercas u otros cuerpos de agua.
- **NO** llene la charola del ejercitador ExerSaucer con agua.
- **NO** ajuste la altura mientras el bebé está sentado en el ejercitador ExerSaucer.
- **NO** use el ExerSaucer si está dañado, roto o le faltan piezas.
- **NUNCA** use el ejercitador como trineo.
- **NO** permita que el niño duerma en el ejercitador ExerSaucer.
- **NO** haga girar al bebé en el asiento. Permita que sólo el bebé gire el asiento.
- El ejercitador ExerSaucer es para niños de por lo menos 4 meses de edad Y que pueden mantener la cabeza y el cuello erguidos sin ayuda.
- **¡PELIGRO DE CAÍDA!** Deje de usar el ejercitador ExerSaucer una vez que el niño alcance cualquiera de las siguientes etapas del desarrollo:
  - Puede caminar por sí mismo.
  - Mide más de 76 cm de estatura.
  - Puede pararse con la planta de los sobre el piso en el ejercitador ExerSaucer en el nivel de ajuste más alto.
  - Puede trepar y salir del ejercitador.
- Permita que sólo los dedos de los pies del bebé toquen la base. **NO** permita que el bebé se pare con la planta de ambos pies sobre la base.
- **NO** use ni almacene este producto en exteriores.
- Para evitar que se vuelque, coloque el producto sobre suelo plano y nivelado.
- **NO** combine baterías nuevas y usadas.
- **NO** combine baterías alcalinas y estándar (carbón-zinc). Sólo deben usarse baterías del mismo tipo o equivalente, como se recomienda.
- **NO** deseche las baterías en el fuego, ya que las baterías pueden explotar o gotear.
- **NO** use baterías recargables.
- **NO** vuelva a cargar baterías que no son recargables.
- Retire de inmediato las baterías usadas del juguete.
- Retire las baterías antes de almacenar la unidad durante un periodo prolongado.

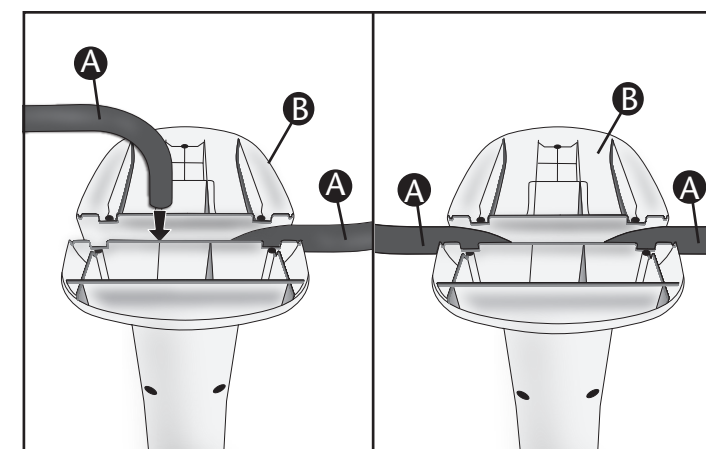
**Herramientas requeridas**

**Destornillador Phillips**



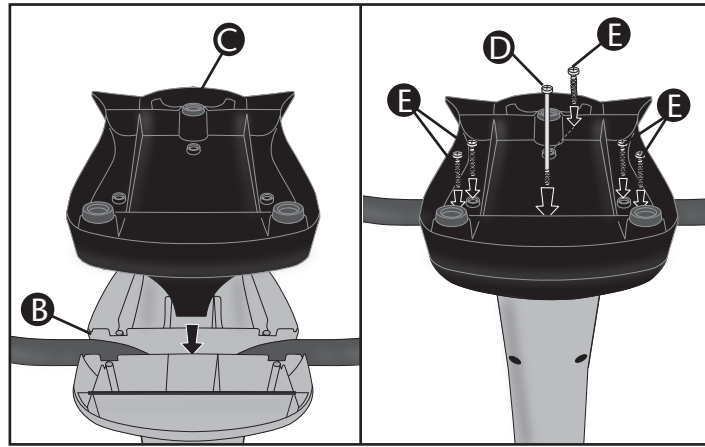
**PRECAUCIÓN:** Apriete los tornillos hasta que queden firmes; no apriete demasiado. Use sólo los tornillos que se proporcionan. **NO USE HERRAMIENTAS ELÉCTRICAS.**

**Ensamblado del ejercitador**



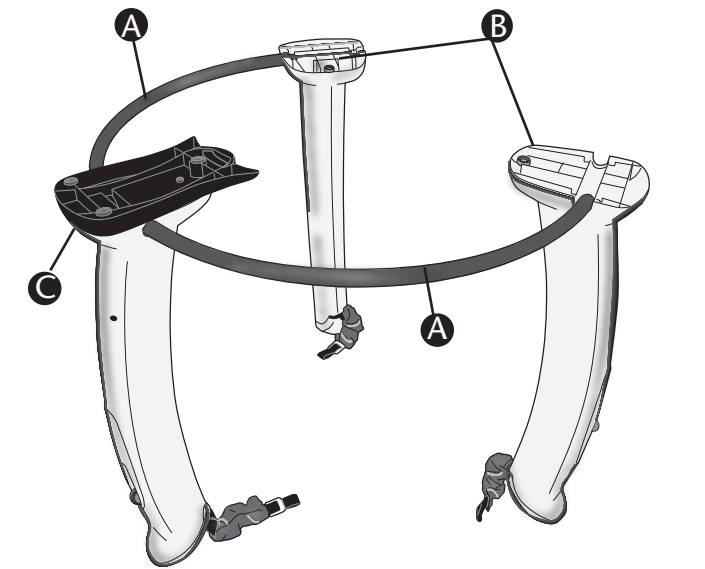
1. Localice dos tubos estabilizadores **A** y una columna de suspensión **B**. Voltee la columna de suspensión **B** boca abajo e inserte uno de los extremos de cada tubo estabilizador **A** en la parte inferior de la columna de suspensión **B**, como se muestra. Asegúrese de que ambos tubos estabilizadores estén insertados por completo en la parte inferior de la columna de suspensión.



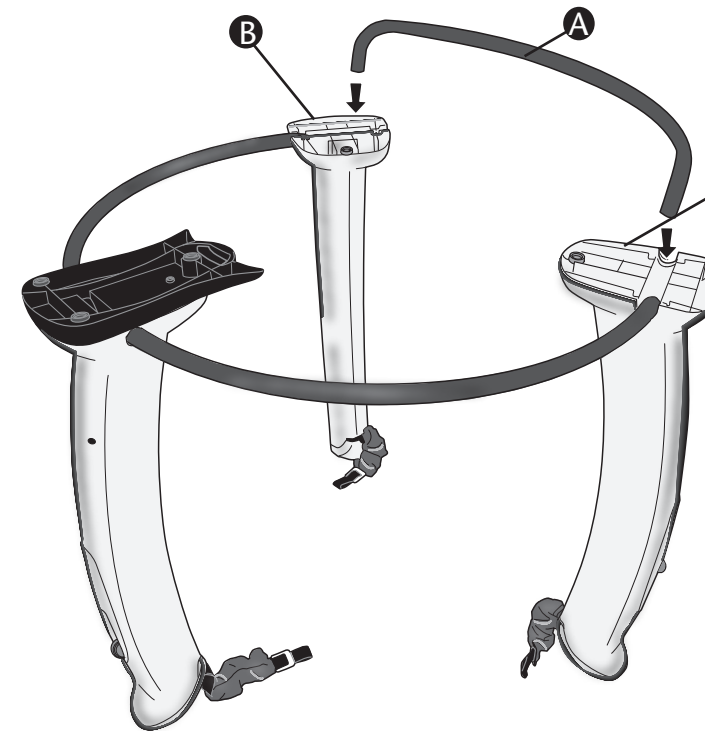


2. Inserte una pata **C** en la parte inferior de la columna de suspensión **B**, como se muestra. Asegure con un tornillo de 8-16 x 75 mm **D** y cinco tornillos de 8-16 x 18 mm **E**. Apriete firmemente los 12 tornillos pero no más de lo necesario. **NO USE HERRAMIENTAS ELÉCTRICAS.**

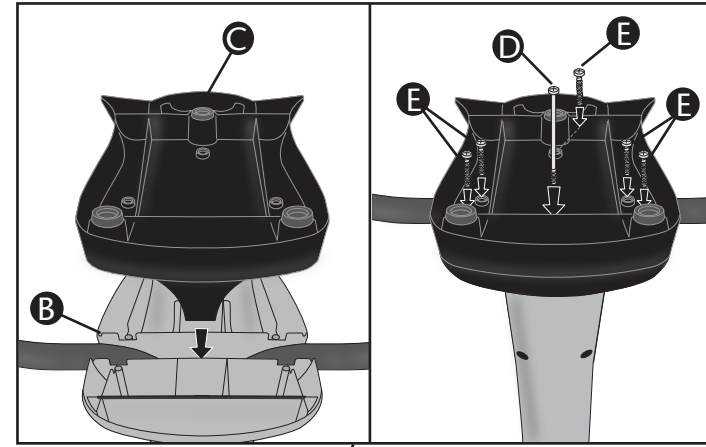
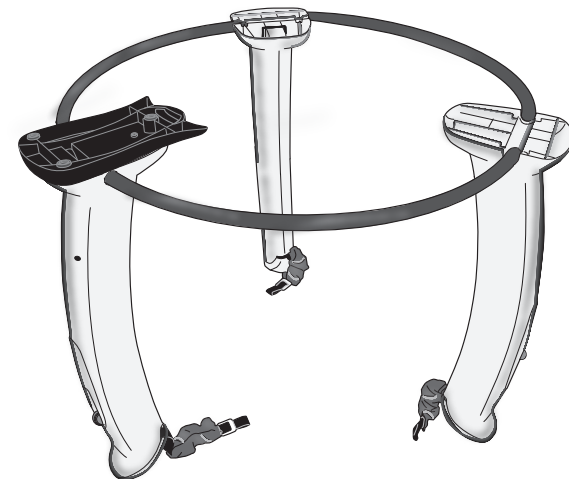
**IMPORTANT:** La pata **DEBE** quedar completamente plana en la parte inferior de la columna de suspensión. Si queda levantada en cualquiera de los extremos, entonces uno de los tubos estabilizadores no está instalado correctamente o no está insertado por completo. Si es así, retire el tubo estabilizador y vuelva a instalar la pata hasta que quede acoplada correctamente.



3. Ubique las otras dos columnas de suspensión **B**. Una a la vez, colóquelas boca abajo e inserte por completo el extremo del tubo estabilizador **A** en cada columna de suspensión, como se muestra. Asegúrese de que los tubos estabilizadores estén insertados por completo en la parte inferior de cada columna de suspensión.

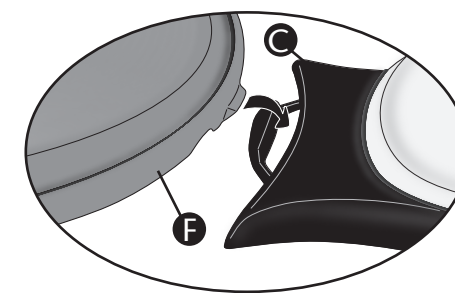
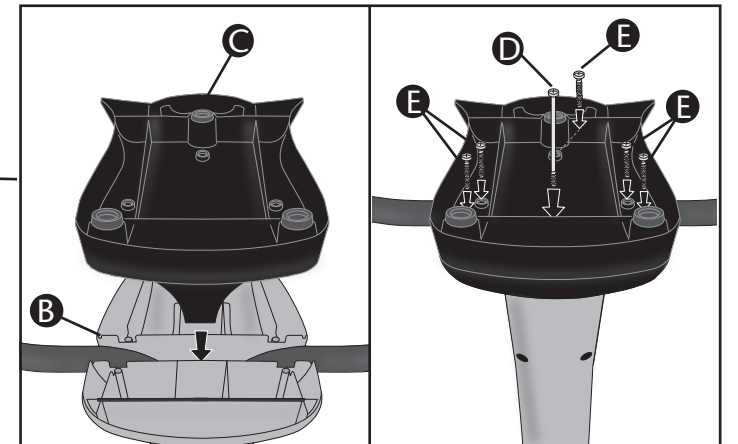
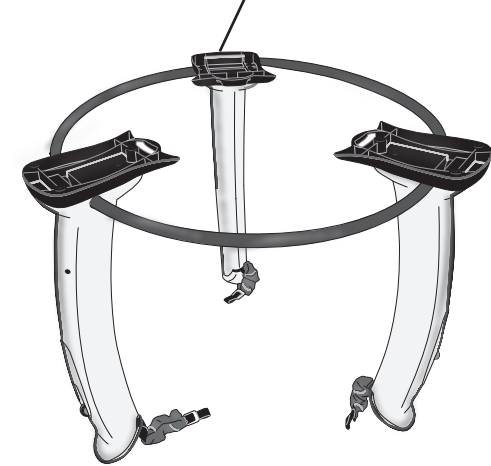


4. Localice el tercer tubo estabilizador **A** e inserte en ambas columnas de suspensión **B**, como se muestra. Asegúrese de que el tubo estabilizador esté insertado por completo en la parte inferior de cada columna de suspensión.

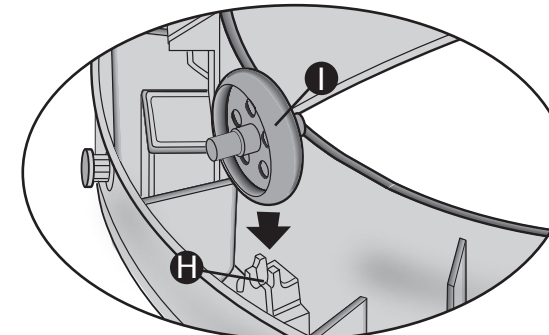
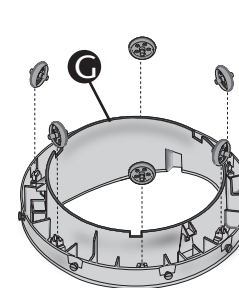


5. Inserte una pata **C** en la parte inferior de cada columna de suspensión **B**, como se muestra. Asegure cada pata con un tornillo de 8-16 x 75 mm **D** y cinco tornillos de 8-16 x 18 mm **E**. Apriete firmemente los 12 tornillos pero no más de lo necesario. **NO USE HERRAMIENTAS ELÉCTRICAS.**

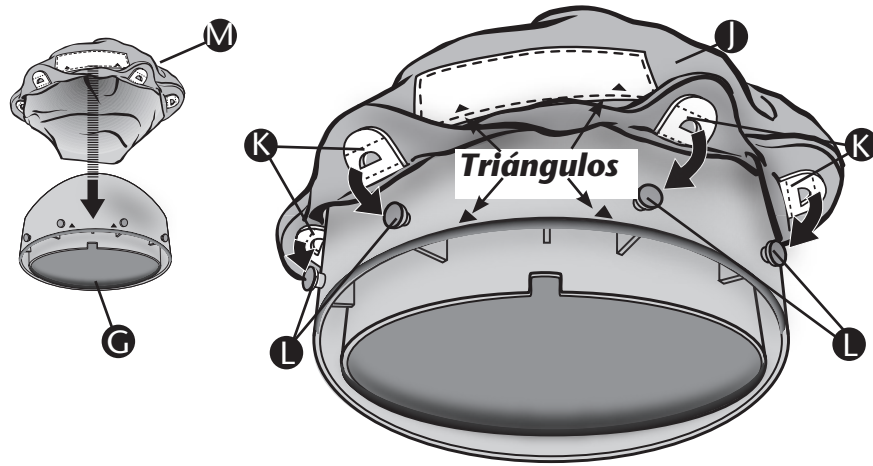
**IMPORTANT:** Cada pata **DEBE** quedar completamente plana en la parte inferior de la columna de suspensión. Si queda levantada en cualquiera de los extremos, entonces uno de los tubos estabilizadores no está instalado correctamente o no está insertado por completo. Si es así, retire el tubo estabilizador y vuelva a instalar la pata hasta que quede acoplada correctamente.



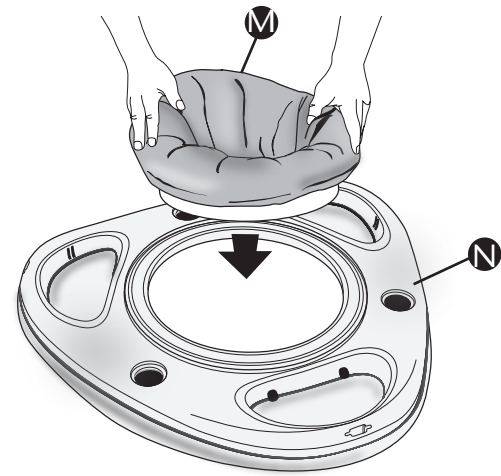
6. Coloque el ensamble de la columna de suspensión boca arriba, como se muestra. Ubique la base **F** y colóquela en el centro del ejercitador ExerSaucer. Inserte cada pestaña de la base **F** en cada pata **C**, como se muestra.



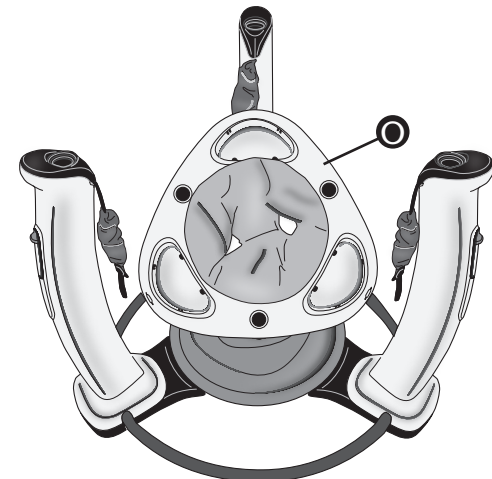
7. Ponga boca abajo el anillo del asiento **G** y localice los sujetadores de las ruedas **H**. Encaje las cuatro (4) ruedas del asiento **I** en los sujetadores de ruedas, tal como se muestra.



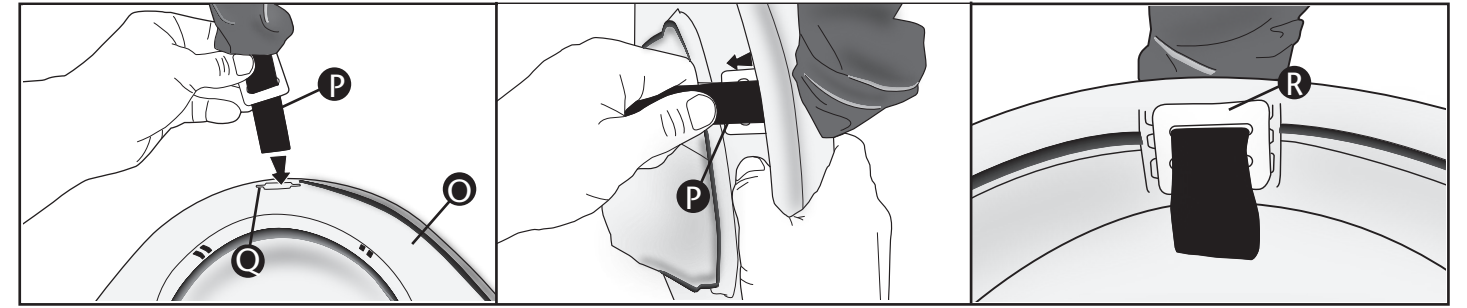
8. Coloque el anillo del asiento ⑥ con el lado derecho hacia arriba. Alinee los dos **triángulos** en la parte posterior del anillo del asiento con los dos **triángulos** en la etiqueta del acolchado del asiento ①. Inserte las lengüetas de plástico ④ del acolchado sobre las espigas ⑤ en el anillo del asiento.  
Repita este proceso alrededor de todo el anillo del asiento.



9. Presione firmemente el anillo del asiento ⑥ ensamblado a la parte superior de la charola ① hasta que encaje en su lugar y gire libremente.



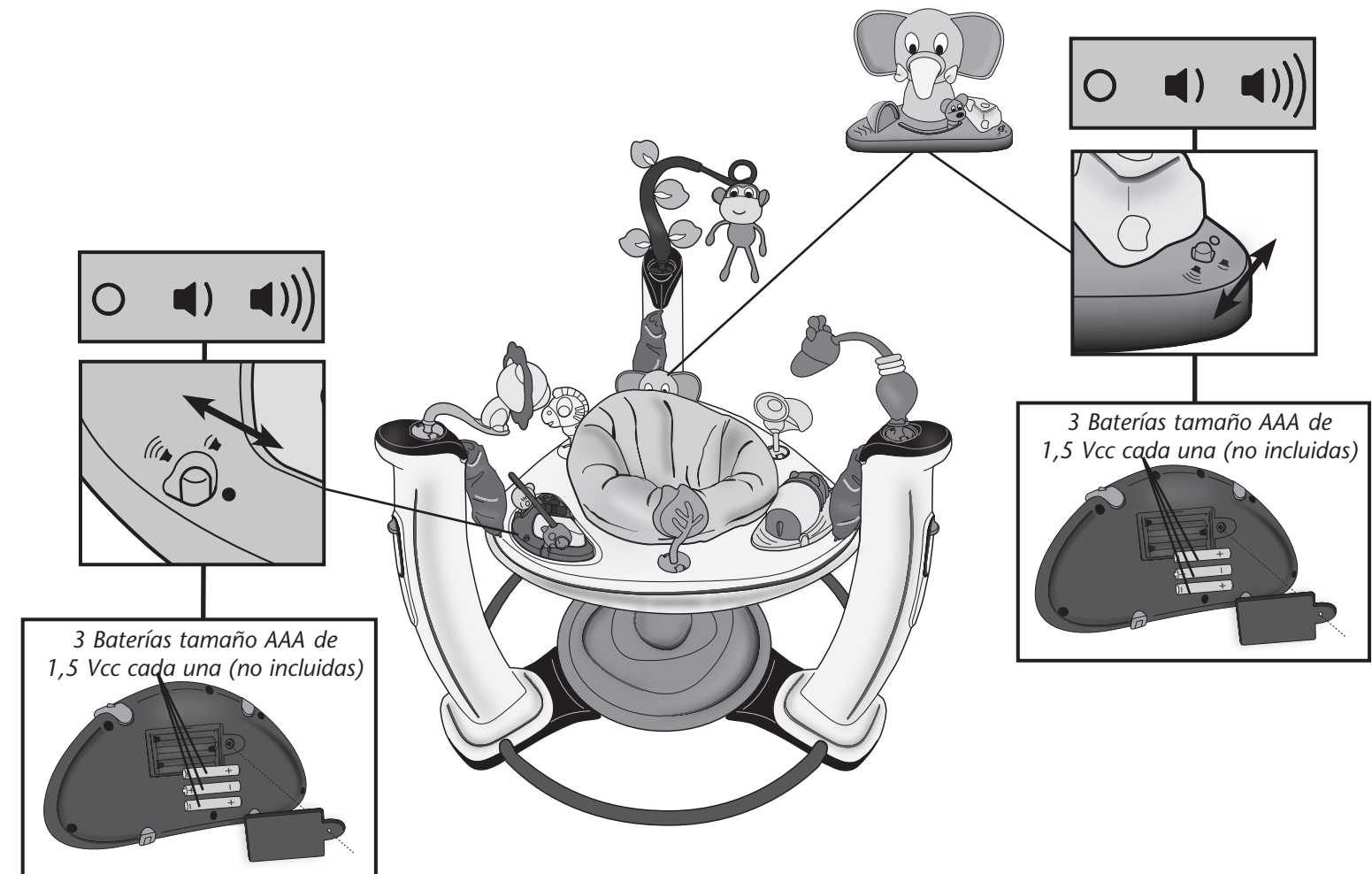
10. Recline el ensamble de la charola ① contra una de las columnas de suspensión, como se muestra.



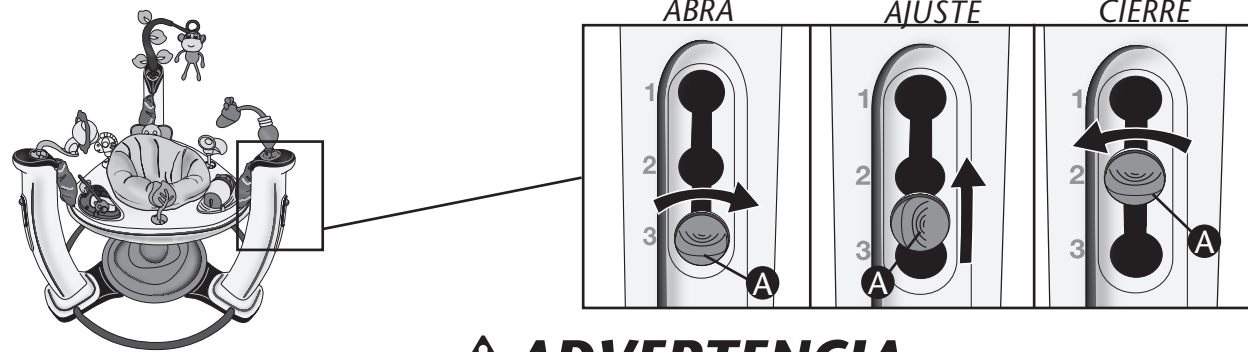
11. Inserte una correa ⑦ a través de la ranura de la correa ① en la charola ①. Jale la correa por completo a través de la charola asegurándose de que el ancla de la correa ⑦ quede plana contra la parte inferior de la charola, como se muestra. Repita el procedimiento con las otras dos correas.

### ⚠ ADVERTENCIA

Para evitar lesiones, asegúrese de que las tres anclas de la correa queden insertadas por completo y que descansen contra la parte inferior de la charola.







### ⚠️ ADVERTENCIA

Durante el uso, permita que sólo los dedos de los pies del bebé toquen la base. **NO** permita que el bebé se pare con la planta de ambos pies sobre la base. En la medida que el bebé crezca y se vuelva más activo, eleve la charola al siguiente nivel de manera que el bebé disfrute del ajuste más cómodo y aproveche al máximo las funciones de giro y rebote. Deje de usar el producto cuando el bebé pueda pararse con los pies planos sobre el piso usando la configuración más alta.

**SIEMPRE** retire al bebé del ejercitador ExerSaucer antes de ajustarlo. Destrahe la perilla de ajuste R girándola hacia la derecha y luego muévela hasta obtener la altura deseada (incluye tres posiciones). Gire la perilla de ajuste hacia la izquierda para fijarla en su lugar. Repita el ajuste con las otras dos columnas de suspensión. **Nota:** Asegúrese de que las tres patas estén ajustadas a la misma posición.

**IMPORTANT :** Siempre asegúrese de que las perillas de ajuste estén fijas en su posición antes de colocar al niño en el centro de actividades.

### Cuidado y mantenimiento

#### Partes de plástico:

Limpie la superficie con un paño ligeramente humedecido con jabón suave y agua. Deje secar al aire.

#### Acolchado del asiento:

Para obtener los mejores resultados – Lave en lavadora por separado con agua fría y jabón suave, ciclo para ropa delicada.

**NO USE BLANQUEADOR CON CLORO.** Secar en secadora: 10 a 15 minutos con calor bajo; retire de inmediato

Si uno de los juguetes musicales deja de funcionar, inspeccione las baterías.

**Nota: Sólo las baterías AAA son reemplazables. Deseche de manera segura las baterías usadas.**

**NO** use este producto si está dañado, roto o le faltan piezas y llame a **Evenflo ParentLink al 01-800-706-12-00 (México) o al 1-800-233-5921 (EE.UU.).**

#### INFORMACIÓN SOBRE LAS BATERÍAS

La vida útil de las baterías varía con el uso. Para obtener mejores resultados, use baterías alcalinas.

**Información de seguridad:** Las baterías son objetos pequeños. Se requiere que un adulto reemplace las baterías. Siga las instrucciones del diagrama de polaridad (+/-) en el compartimiento de las baterías.

### ⚠️ ADVERTENCIA

- **NO** combine baterías nuevas y usadas.
- **NO** combine baterías alcalinas y estándar (carbón-zinc). Use sólo baterías del mismo tipo o equivalente.
- **NO** deseche las baterías en el fuego, ya que las baterías pueden explotar o gotear.
- **NO** use baterías recargables.
- **NO** vuelva a cargar baterías que no son recargables.
- Retire de inmediato las baterías usadas del juguete.
- Retire las baterías antes de almacenar la unidad durante un periodo prolongado.
- No debe causarse cortocircuito en las terminales de suministro.

#### Reemplazo de las baterías:

Para reemplazar las baterías, afloje el tornillo y retire la puerta de la batería. Deseche adecuadamente las baterías usadas y reemplácelas con 3 baterías alcalinas AAA de 1,5 Vcc cada una. Vuelva a colocar la puerta y apriete el tornillo.

#### Localización de fallas:

El juguete no se enciende o no responde.

- Asegúrese de que las baterías estén instaladas correctamente.
- Asegúrese de que la cubierta de la batería esté asegurada correctamente.
- Instale baterías nuevas.

El juguete no responde correctamente.

- Verifique las baterías o instale baterías nuevas.

Este dispositivo cumple con la Parte 15 de los Reglamentos de la Comisión Federal de Comunicaciones (FCC). Su funcionamiento está sujeto a las dos condiciones siguientes: (1) este dispositivo no podrá causar interferencia perjudicial, y (2) este dispositivo debe aceptar cualquier interferencia que reciba, incluidas interferencias que podrían causar un funcionamiento no deseado.

### ⚠️ ADVERTENCIA

*Los cambios o modificaciones que no estén expresamente aprobados por la parte responsable del cumplimiento podrían anular la autoridad del usuario para usar el equipo.*

**Nota:** Este equipo se ha probado y se ha determinado que cumple con los límites para un dispositivo digital Clase B, de conformidad con la Parte 15 de los Reglamentos de la FCC. Estos límites están diseñados para proporcionar protección razonable contra interferencia perjudicial en instalaciones residenciales. Este equipo genera, usa y puede emitir energía de radiofrecuencia y, si no se instala y usa de acuerdo con las instrucciones, podría causar interferencia perjudicial a las radiocomunicaciones. Sin embargo, no existe garantía de que no ocurrirán interferencias en una instalación en particular. Si este equipo causa interferencia perjudicial a la recepción de radio o televisión, lo cual puede determinarse al encender y apagar el equipo, se recomienda al usuario que intente corregir la interferencia mediante una o más de las medidas siguientes:

- Volver a orientar o cambiar de lugar la antena receptora.
- Aumentar la separación entre el equipo y el receptor.
- Conectar el equipo a un enchufe en un circuito diferente al que está conectado el receptor.
- Consultar con el distribuidor o con un técnico de radio o televisión experimentado para obtener ayuda.
- Este aparato digital Clase B cumple con la norma Canadiense ICES-003.



## Garantía Limitada para consumidores que residen en Estados Unidos

Durante un periodo de noventa (90) días a partir de la fecha de compra original de este Producto, Evenflo garantiza al usuario final (“Comprador”) que este Producto (incluidos sus accesorios) está libre de defectos de material y mano de obra. La única obligación de Evenflo bajo esta garantía limitada expresa será, a opción de Evenflo, reparar o reemplazar un Producto que Evenflo haya determinado que es defectuoso y que esté cubierto bajo esta garantía.

La reparación o reemplazo tal como se especifica en esta garantía es el único recurso para el Comprador. Para obtener el servicio de garantía es necesario presentar comprobante de compra en forma de recibo o factura de compra en donde conste que el Producto está dentro del periodo de garantía. Evenflo extiende esta garantía limitada expresa al comprador original del Producto solamente y no es asignable ni transferible a compradores o usuarios finales subsiguientes. Para obtener el servicio de garantía, comuníquese con ParentLink Consumer Resource Center de Evenflo al (800) 233-5921 o en [www.evenflo.com](http://www.evenflo.com).

EXCEPTO EN LA MEDIDA QUE LA LEY APLICABLE LO PROHÍBA, POR MEDIO DE LA PRESENTE SE NIEGA CUALQUIER GARANTÍA IMPLÍCITA DE COMERCIABILIDAD O IDONEIDAD REFERENTE A CUALQUIER USO GENERAL O ESPECÍFICO DE ESTE PRODUCTO. EVENFLO NO SERÁ RESPONSABLE DE NINGÚN DAÑO INCIDENTAL O INDIRECTO CAUSADO POR EL INCUMPLIMIENTO DE CUALQUIER GARANTÍA EXPRESA O IMPLÍCITA RESPECTO A ESTE PRODUCTO. NINGUNA OTRA GARANTÍA ACOMPAÑA A ESTE PRODUCTO Y SE NIEGA CUALQUIER OTRA DECLARACIÓN ORAL, ESCRITA O EXPRESA DE CUALQUIER TIPO.

## Garantía Limitada para consumidores que residen en México



### POLIZA DE GARANTÍA

#### CENTRO DE ACTIVIDAD Y APRENDIZAJE

Evenflo México S.A. de C.V. garantiza éste producto por 90 días en todas sus partes y mano de obra por cualquier defecto de fabricación a partir de la fecha de entrega del producto bajo las siguientes CONDICIONES:

1. Para hacer efectiva la garantía no podrá exigirse mayores requisitos que la presentación del producto, la garantía vigente y comprobante de venta.

Esta póliza se podrá hacer válida en dicho lugar o en: Evenflo México S.A. de C.V. Carretera Cuautitlán – Teoloyucan km 25 Edificio 1 Unidad C, Col. Santa Bárbara C.P. 54713 Cuautitlán Izcalli Estado de México  
Tel.: 55-77-27-94 D.F. 01-800 70-612-00 México  
R.F.C. EME-850701-58

2. La empresa se compromete a cambiar el producto defectuoso sin ningún cargo al consumidor. Los gastos de transportación del producto serán cubiertos razonablemente erogados por la empresa para lograr el cumplimiento de la garantía en domicilio diverso al antes señalado.

3. Por la naturaleza del producto no contiene partes, componentes y accesorios, ya que el empaque donde se comercializa contiene todos los elementos necesarios para su adecuado funcionamiento.

4. El tiempo de reparación en ningún caso será mayor a 30 días contados a partir de la fecha de recepción del producto.

5. Una vez concluida la garantía para un arreglo o cualquier descompostura o mal funcionamiento del producto, los consumidores pueden acudir a: Evenflo México S.A. de C.V. Carretera Cuautitlán – Teoloyucan km 25 Edificio 1 Unidad C, Col. Santa Bárbara C.P. 54713 Cuautitlán Izcalli Estado de México  
Tel.: 55-77-27-94 D.F. 01-800 70-612-00 México  
R.F.C. EME-850701-58

ESTA GARANTÍA NO ES VÁLIDA EN LOS SIGUIENTES CASOS:

- Si el producto no ha sido operado conforme al instructivo anexo.
- Si no se han observado las advertencias señaladas.
- Si el producto ha tratado de ser reparado por personas ajenas no autorizadas por la empresa.

PRODUCTO: **CENTRO DE ACTIVIDAD Y APRENDIZAJE**

CÓDIGO: \_\_\_\_\_  
Nombre del consumidor: \_\_\_\_\_  
Dirección: \_\_\_\_\_  
Colonia: \_\_\_\_\_ Delegación o municipio: \_\_\_\_\_  
Código Postal: \_\_\_\_\_ Estado: \_\_\_\_\_  
Lugar en donde se adquirió: \_\_\_\_\_ Teléfono: \_\_\_\_\_  
Fecha de la Compra: \_\_\_\_\_  
Motivo de devolución: \_\_\_\_\_

\_\_\_\_\_  
Sello o Firma

4444006 R01

ParentLink®

answers. advice. affirmation.™

- [www.evenflo.com](http://www.evenflo.com) • USA: 1-800-233-5921 8 AM a 5 PM hora del Este
- Canada: 1-937-773-3971 • México: 01-800-706-12-00

**ParentLink®**

answers. advice. affirmation.™

- **[www.evenflo.com](http://www.evenflo.com)** • USA: 1-800-233-5921 8 AM – 5 PM E.T.
- Canada: 1-937-773-3971 • México: 01-800-706-12-00